

# QFX<sup>®</sup>

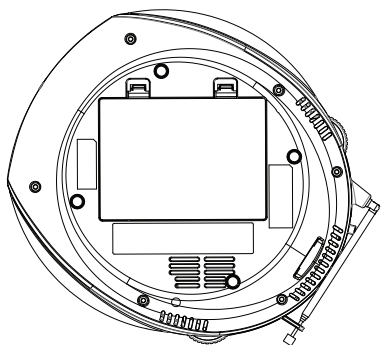
WHERE THE PARTY BEGINS<sup>™</sup>



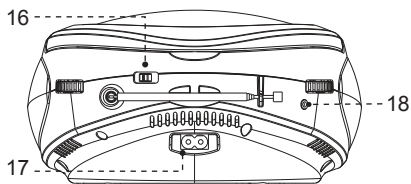
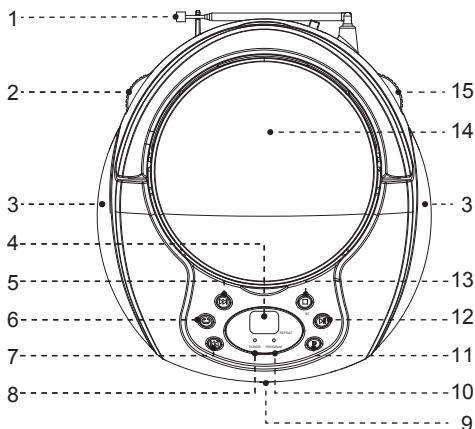
J-100BT

## INSTRUCTION MANUAL

## BATTERY INSTALLATION



1. Remove the battery compartment cover carefully.
2. Install 6x C size batteries (UM-2 or equivalent) while observing the correct polarities.
3. Replace the battery compartment cover.



- |   |  |
|---|--|
| <ol style="list-style-type: none"> <li>1. Telescoping Antenna</li> <li>2. Volume Control</li> <li>3. Speakers</li> <li>4. LED Display</li> <li>5.  Next/Forward</li> <li>6.  Repeat</li> <li>7.  Previous/Rewind</li> <li>8. Power LED Indicator</li> <li>9. Earphone Jack</li> </ol> | <ol style="list-style-type: none"> <li>10. Program LED Indicator</li> <li>11. Program Button</li> <li>12.  PLAY/PAUSE</li> <li>13.  STOP/BT Button</li> <li>14. CD Compartment</li> <li>15. Radio Station Tuning Dial</li> <li>16. Function Switch(CD/AUX/BT,OFF,FM,AM)</li> <li>17. AC Power Cable Connection</li> <li>18. AUX Input</li> </ol> |
|---|--|

## OPERATING INSTRUCTIONS

**NOTE: The AC power cord must be detached from the AC mains socket of the player for the batteries to power the unit. Replace old or used batteries when needed. Leaking batteries may damage the unit.**

### CD OPERATION

Load a **CD or CD-RW** Audio Disc

1. Open the CD door by lifting the raised part of the lid (front above the display) upwards.
2. Load a CD onto the disc tray with the label facing upwards you.
3. Close the CD door.

### PLAYING A **CD OR CD-RW** AUDIO DISC

1. Wake the unit up from STANDBY mode if required.
2. Slide the FUNCTION switch (15) to the CD/AUX IN position.
3. Load the disc and the unit will read the number of tracks found on the disc.
4. Press the PLAY/PAUSE button (11) once to begin playback. Press again to PAUSE the music playback, a dot flashes on the display to indicate the player is in Pause mode. Pressing the PLAY/PAUSE button (11) resumes playback.
5. Press the STOP button (12) to cease music playback, the display shows the total number of tracks again.

### **Next/Fast-Forward and Previous/Rewind Tracks**

1. Press the Next/Fast-Forward button (5) once during playback to skip to the next track. To skip to a specific track ahead, press this button several times until you reach the track number required.
2. Press the Previous/Rewind button (7) once during playback to return to the beginning of the current track. Press the **PREVIOUS** button twice repeatedly to skip to the previous track. To skip back to a specific track, press this button several times.
3. Hold the Next/Fast-Forward button (5) during playback to fast forward the current track.
4. Hold the Previous/Rewind button (7) during playback to fast rewind the current track.

### **Repeat and Random Playback**

To play the entire disc in a **random order** or simply repeat a single track or the entire disc, follow the below steps:

1. During CD playback, press the REPEAT button (6). After one press you will see a dot on the right of

the display flash, to indicate the current track will repeat.

2. Press the REPEAT button (6) again and the dot on the right of the display will stop flashing. This indicates that the entire disc will repeat.
3. Press the REPEAT button (6) once more, you will see the dot disappear from the display to indicate no REPEAT function is active.

### **Programmed Playback Order**

To program an alternative playback order of tracks, follow these steps:

1. Make sure the unit is not playing a disc.
2. Press the PROGRAM button (10) once. The program sequence "01" appear on the LED display and the PROGRAM LED indicator (9) flashes.
3. Select the first track to be programmed using either Next/Fast-Forward button (5) or Previous/Rewind button (7).
4. Press the PROGRAM button (10) again to store and advance to the next programmed track.
5. The program sequence indication changes to "02" momentarily waiting for your next input.
6. Repeat the steps above to program more tracks. A maximum of 20 tracks can be programmed.
7. Press the PLAY/PAUSE button (11) to begin the programmed playback in the preferred order.
8. You can press the STOP button (12) to terminate programmed playback.

### **Radio Operation**

1. Wake the unit from STANDBY mode if required.
  2. Slide the FUNCTION switch (15) to AM or FM position.
  3. Extend the antenna fully, and angle for best reception (you may need to adjust once tuned to a station).
  4. Tune to the required station using the TUNING dial (14).
- NOTE: When receiving FM broadcasts, fully extend the antenna and angle for best reception.
5. Adjust the volume to a comfortable listening level using the volume control (2).

### **AUX Input**

Connect an external audio source like a portable audio player using a 3.5mm audio cable (not supplied).

1. Connect one end of the cable to the your source output and the other end to the AUX INPUT socket (17) on the rear of the unit.
2. Wake the unit from STANDBY mode if required.
3. Set the FUNCTION switch (15) to the CD/AUX position.

NOTE: When a 3.5mm audio cable is connected to the AUX socket, CD playback will stop.

4. Play music from our external audio device and adjust the VOLUME control (2) on the unit to the required listening level.

**BT Function:**

1. Set the FUNCTION switch(15) to the CD/AUX/BT position.
2. Press and hold the STOP/BT(12)Button, the display will show a flashing “BT”.
3. If the unit has never been paired with a Bluetooth device before or cannot find the last paired device, the display and the BT indicator will keep on flashing.
4. Turn on the Bluetooth function of your device and enable the search until “QFX J-100BT” is found. Select “QFX J-100BT” on the Bluetooth device to make connection.
5. After successfully paired the unit, you can now start playing music from your smartphone wirelessly.
6. Press the button STOP/BT(12) button again to make disconnection.

**Care and Maintenance**

- Do not touch the playback side of the disc.
- Do not attach paper or tape to disc.
- Do not use any type of solvent such as thinner, benzene, commercially available cleaners or antistatic spray for vinyl. It may damage the disc.
- Do not store discs in a place subject to direct sunlight or near heat source.
- Switch the unit off at the mains and unplug it if you are leaving it unattended for long period (holidays etc).
- Avoid leaving batteries fitted if you leave the radio unattended for long periods. They may leak and damage the radio.



## LIMITED PRODUCT WARRANTY POLICY

Before returning your Product for service under this Warranty, please (i) read the instruction manual carefully and visit our website at [www.qfxusa.com](http://www.qfxusa.com) for Product updates and extended support documentation (e.g., Common Troubleshooting Guides); (ii) if you are still having trouble with your Product, please contact the QFX Customer Support Department.

Subject to the terms and conditions herein, QFX, Inc. (herein after called "QFX") warrants to the original purchaser of the Product ("Customer") that for the applicable Warranty Period listed below, the Product will be free from defects in material or workmanship under normal, non-commercial use ("Defects").

Warranty Period encompasses, as listed below, separate "Coverage Periods" for Parts and Labor, each Coverage Period to begin from the original date of Customer purchase. If Customer returns a defective Product (or any component thereof) during the applicable Warranty Period, QFX will, at its option, during the specified Coverage Periods for Parts and Labor (as applicable either: (i) repair the Product (or, as applicable, any component thereof) or (ii) replace the Product (or, as applicable, any component thereof) with a new or refurbished Product (or, as applicable, any component thereof), in either case free of charge to Customer for Parts and/or Labor (as applicable) during the specified Coverage Period only, and excluding applicable shipping charges (noted below), for which the Customer is responsible. The foregoing states the Customer's exclusive remedy and QFX sole liability for breach of the limited warranty contained herein.

This warranty covers only normal use. This warranty is not transferable. QFX is not responsible for warranty replacement should the QFX label or logo be removed or should the product fail to be properly maintained or fail to function properly as a result of misuse, abuse, immersion in liquids, improper installation, improper shipping, damage caused by disasters such as fire, flood, or service other than by QFX. In addition, this warranty excludes any Product (or, as applicable, any component thereof) that has been subject to or Defects resulting from: (a) any neglect or misuse by a Customer, an accident, improper application, violation of operating instructions for the Product, any other Customer-induced damage, or the alteration or removal of any Product serial number; (b) any modification or repair to Product (or, as applicable, any component thereof) by any party other than QFX or a party authorized in writing by QFX; (c) any damage to Product (or, as applicable, any component thereof) due to power surges, incorrect electrical voltage, misconnection to any device, or malfunction of any device used with the Product (or, as applicable, any component thereof); (d) cosmetic damage to the Product (or, as applicable, any component thereof) caused by normal wear and tear; (e) shipping damage that occurs while the Product is in transit; (f) damage caused by heat sources, sunlight, electromagnetic conditions, or other climatic conditions or (g) any acts of God.

Product is sold to Customer for personal, non-commercial use only. Product is not warranted for Customer's commercial or rental use. In addition, Product is not warranted against failure, and should not be used by Customer for any application where (i) there is a risk that any data stored on Product will be breached or otherwise compromised, or (ii) the data stored on Product is relied upon for medical or lifesaving applications. QFX disclaims any Warranty for any of the foregoing uses to the fullest extent permitted by law. Customer assumes any and all risks associated with such uses of Product, and agrees to indemnify QFX for any damages claimed against QFX for such uses.

EXCEPT FOR EXPRESS WARRANTIES STATED ABOVE AND TO THE MAXIMUM EXTENT PERMITTED BY LAW, THE PRODUCTS ARE PROVIDED "AS IS" AND QFX DISCLAIMS ALL OTHER WARRANTIES, INCLUDING WITHOUT LIMITATION ANY IMPLIED WARRANTY (i) OF MERCHANTABILITY, (ii) OF FITNESS FOR A PARTICULAR PURPOSE, OR (iii) OF NON-INFRINGEMENT OF THIRD PARTY RIGHTS. TO THE MAXIMUM EXTENT PERMITTED BY APPLICABLE LAW, IN NO EVENT WILL QFX BE LIABLE TO CUSTOMER OR ANY THIRD PARTY FOR ANY INDIRECT, SPECIAL, INCIDENTAL, CONSEQUENTIAL, EXEMPLARY OR PUNITIVE DAMAGES, INCLUDING, WITHOUT LIMITATION, ANY LOST PROFITS OR REVENUES, LOSS OR INACCURACY OF ANY DATA OR COST OF SUBSTITUTE GOODS, REGARDLESS OF THE THEORY OF LIABILITY (INCLUDING NEGLIGENCE) AND EVEN IF QFX HAS BEEN ADVISED OF THE POSSIBILITY OF SUCH DAMAGES, QFX AGGREGATE LIABILITY TO CUSTOMER FOR ACTUAL DIRECT DAMAGES FOR ANY CAUSE WHATSOEVER SHALL BE LIMITED TO THE CUMULATIVE PRODUCT FEES PAID BY THAT CUSTOMER FOR THE PRODUCTS CAUSING THE DAMAGES, IF ANY.

This Warranty gives Customer specific rights, and Customer may also have other rights that vary from jurisdiction to jurisdiction. Warning: Some Products may contain components that are small enough to be swallowed. Please keep out of reach of children. In order for the return to be processed, you must send the Product PREPAID to the address below in the original packaging or reasonable substitute to prevent damage and include: (1) a dated sales receipt (which must have a purchase date that falls in the Warranty Period specified in the table below) that indicates the place of purchase, model number of Product, and amount paid, (2) a detailed description of Customer's problem with Product, (3) Customer's full name, phone number, and return address, (3) all of the accessories that came with the Product package must be sent along with the main Product, (4) a cashier's check or money order payable to QFX, Inc., in the amount specified for the item in the product table below for return shipping and handling. If in the case you cannot provide a money order or cashier's check, you can contact The QFX Customer Support Representative to arrange payment via credit card. No returned Product will be shipped back to a PO BOX. If a returned Product is found to have no problem and/or does not include ALL of the requirements indicated above, it may be returned back to the customer and will not be processed.

**QFX USA®**, Inc.  
RMA Processing  
Customer Support Department  
2957 E. 46th Street | Vernon, CA 90058

support@qfxusa.com  
(800) 864-CLUB (2582) or (323) 864-6900  
qfxusa.com  
Hours of Operation: Monday - Friday, 9am - 5pm PST

All prices and details below are for US Destinations excluding, Hawaii, Alaska and Puerto Rico. For excluded destinations and NON US destinations, please contact The QFX Customer Support Department directly for additional shipping fees and return instructions.

If you do not find your Product below, your Product model conflicts with multiple categories, and/or are unsure of which category the Product you have purchased will fall under, please contact our Customer Support Department for further instruction.

In order to determine the exact shipping cost that must be included with your product or paid for the product being returned, please refer to the table below. Please find the product you wish to return by category or model number prefix. QFX will not provide any return or refund to any customer for merchandise and will only honor the Limited Warranty restrictions mentioned in this document.

Please make sure to follow all directions prior to shipping back your item. If you are not sure what the shipping cost for your item is, or if your item category conflicts in the table below, please feel free to contact the QFX Support Department for further assistance.

PRODUCT CATEGORY	HANDLING	LABOR	PARTS
Earphones, Headphones, Pocket Radios, & Small Bluetooth vSpeakers	\$5.00	1 Year	1 Year
Personal Stereos	\$10.00	1 Year	1 Year
Portable Radio/Cassette	\$15.00	1 Year	1 Year
Large Portable Radio Cassette	\$20.00	1 Year	1 Year
Mobile Audio	\$10.00	1 Year	1 Year
Pro Audio SBX Systems	\$75.00	1 Year	1 Year
Pro Audio PBX Systems	\$75.00	1 Year	1 Year
Televisions	\$25.00	1 Year	1 Year
Telephones	\$10.00	1 Year	1 Year

THE WARRANTY AND REMEDY PROVIDED ABOVE ARE EXCLUSIVE AND IN LIEU OF ALL OTHER EXPRESSED OR IMPLIED WARRANTIES INCLUDING, BUT NOT LIMITED TO, THE IMPLIED WARRANTIES OF MERCHANTABILITY, NON-INFRINGEMENT OR FITNESS FOR A PARTICULAR PURPOSE. SOME LAWS DO NOT ALLOW THE EXCLUSION OF IMPLIED WARRANTIES. IF THESE LAWS APPLY, THEN ALL EXPRESSED OR IMPLIED WARRANTIES ARE LIMITED TO THE WARRANTY PERIOD IDENTIFIED ABOVE. UNLESS STATED HEREIN, ANY STATEMENT OR REPRESENTATIONS MADE BY ANY OTHER PERSONS OR FIRM ARE VOID. EXCEPT AS PROVIDED IN THIS WRITTEN WARRANTY, QFX SHALL NOT BE LIABLE FOR ANY LOSS, INCONVENIENCE, OR DAMAGE, INCLUDING DIRECT, SPECIAL, INCIDENTAL OR CONSEQUENTIAL DAMAGES, RESULTING FROM THE USE OR INABILITY TO USE THE QFX PRODUCT, WHETHER RESULTING FROM BREACH OF WARRANTY OR ANY OTHER LEGAL THEORY.

Some jurisdictions do not allow limitations on how long an implied warranty lasts, and some jurisdictions do not allow the exclusion or limitation of incidental or consequential damages, so the above limitations and exclusions may not apply to you. This warranty gives you special legal rights and you may have other rights which vary from jurisdiction to jurisdiction.

Copyright Protected 2023 ©



1-800-864-CLUB (2582)  
Mon-Fri 9AM - 5PM (PST)



support@qfxusa.com  
Mon-Fri 9AM - 5PM (PST)



www.qfxusa.com

# THANK YOU.

Enjoy your speaker and make many memories with it because  
**QFX is Where the Party Begins!**

We would love to hear about your J-100BT Journey!  
Tag us **@QFXUSA** to share your stories.