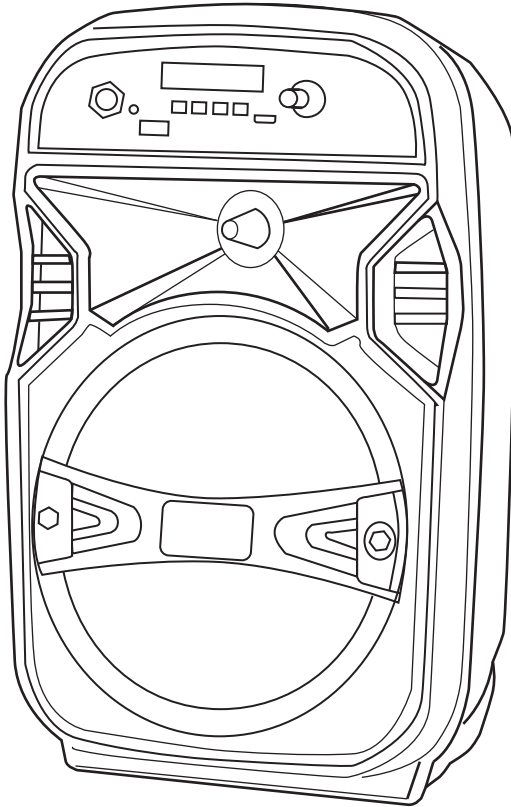




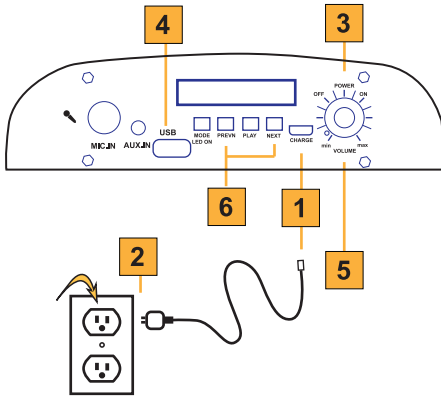
www.qfxusa.com

Follow Us



BT-66SM

User Manual for the BT-66SM Portable Speaker



6 - GUÍA DE CONFIGURACIÓN DE PASOS

1. Paso Busque el cable de alimentación USB al BT-66SM ubicado en el paquete y conéctelo a la entrada de 5V.
2. Paso Busque una toma de corriente (CA 120V / 60Hz) que suministre energía a la unidad (5V, 1A mim).
3. Paso Muévase a la parte superior del panel y deslice el interruptor a la posición ON. La unidad debe encenderse y comenzar a cargarse.
4. Paso Inserte una unidad flash USB en el puerto USB ubicado debajo de la perilla grande. El BT-66SM comenzará a reproducir automáticamente el contenido .mp3.
5. Paso Mantenga presionado el botón "+" para aumentar el volumen maestro a su gusto. Mantenga pulsado "-" para reducir el volumen principal.
6. Paso Presione las teclas "+" y "-" para pasar a la siguiente pista o pista anterior.

6 - GUIDE DE CONFIGURATION DES ÉTAPES

1. Étape Trouvez le cordon d'alimentation USB du BT-66SM situé dans l'emballage et connectez-le à l'entrée 5V.
2. Étape Trouvez une prise de courant (120 V CA / 60 Hz) pour alimenter l'unité (5 V, 1 A mim).
3. Étape Déplacez-vous vers le haut d'une partie du panneau et faites glisser l'interrupteur en position ON. L'appareil doit s'allumer et commencer à se charger.
4. Étape Insérez une clé USB dans le port USB situé sous le gros bouton. Le BT-66SM commencera automatiquement la lecture du contenu .mp3.
5. Étape Appuyez et maintenez le bouton «+» pour augmenter le volume principal à votre goût. Appuyez et maintenez le «-» pour diminuer le volume principal.
6. Étape Appuyez sur les touches «+» et «-» pour passer à la piste suivante ou à la piste précédente. En mode FM, ces touches changeront la fonction radio.

6 - STEP SETUP GUIDE

Step 1 Find the USB power cord to the BT-66SM located in the packaging and connect it the 5V input.

Step 2 Find a power outlet (AC 120V/60Hz) and supply the unit with power (5V, 1A mim).

Step 3 On the right side of the control panel turn the POWER knob clockwise to turn ON the unit.

Step 4 Insert a USB flash drive in the USB port located below the big knob. The BT-66SM will automatically begin playing the .mp3 content.

Step 5 Turn the POWER knob clockwise to increase the volume. To turn OFF the unit, turn the knob counter-clockwise.

Step 6 Press the "NEXT" and "PREV" keys to move to the next track or previous track. In Fm Mode use these buttons to change radio station.

BT-60 BLUETOOTH

Bluetooth Mode: Use the MODE button to enable Bluetooth on the BT-66SM. Open the Bluetooth settings on your mobile device and search for QFX BT-66SM. Select the option to pair both devices together. You can now sit back and enjoy the music from your favorite app. You won't need reconnect the Bluetooth again when switching through modes.

Mode Bluetooth: Use el botón MODE para habilitar Bluetooth en el BT-66SM. Abra la configuración de Bluetooth en su dispositivo móvil y busque QFX BT-66SM. Seleccione la opción para emparejar ambos dispositivos. Ahora puede sentarse y disfrutar de la música de su aplicación favorita. No necesitará volver a conectar el Bluetooth al cambiar de modo.

Mode Bluetooth: utilisez le bouton MODE pour activer Bluetooth sur le BT-66SM. Ouvrez les paramètres Bluetooth sur votre appareil mobile et recherchez QFX BT-66SM. Sélectionnez l'option pour coupler les deux appareils ensemble. Vous pouvez maintenant vous asseoir et profiter de la musique de votre application préférée. Vous n'aurez plus besoin de reconnecter le Bluetooth lors du passage d'un mode à l'autre.

IMPORTANT SAFETY MEASURES

Before using this machine, please read all the safety and operating instructions. These safety and operating instructions should be kept in condition of consultation.



- 1. Electric Power Supply Line:** Keep the power cord safe from being trampled on, pressed on by heavy objects, or pierced. Make sure that the cord has ample space to rest on the ground and is not stressed. DO NOT pull or drag or the power supply line.
- 2. Ventilation:** This unit must be set in a ventilated space. DO NOT cover the vents on the back panel for any reason. If placed alongside a wall, distance the unit a minimum of 10cm to allow air flow. DO NOT surface that might restricted good air flow.
- 3. Dismantling:** DO NOT dismantle or open the unit. This is a high-powered unit that can cause serious harm if tampered with. DO NOT Open.
- 4. Smoke:** Please unplug the power supplies cord from the wall outlet immediately if unusual smoke appears and contact customer support

MEDIDAS DE SEGURIDAD IMPORTANTES

Antes de utilizar esta máquina, lea todas las instrucciones de seguridad y funcionamiento. Esta seguridad y las instrucciones de funcionamiento deben mantenerse en condiciones de consulta.



- 1. Línea de suministro de energía eléctrica:** Mantenga el cable de alimentación a salvo de ser pisoteado, presionado por objetos pesados o perforado. Asegúrese de que el cable tenga suficiente espacio para descansar en el suelo y no está estresado. NO tire ni arrastre de la línea de alimentación.
- 2. Ventilación:** esta unidad debe instalarse en un espacio ventilado. NO cubra las rejillas de ventilación del panel posterior por alguna razón. Si se coloca junto a una pared, separe la unidad un mínimo de 10 cm para permitir que el aire fluir. NO coloque superficies que puedan restringir el buen flujo de aire.
- 3. Desmontaje:** NO desmonte ni abra la unidad. Esta es una unidad de alta potencia que puede causar daño grave si se manipula. No abrir.
- 4. Humo:** desconchufe el cable de alimentación del toma de corriente inmediatamente si aparece humo inusual y póngase en contacto con el servicio de atención al cliente.

MESURES DE SÉCURITÉ IMPORTANTES

Avant d'utiliser cette machine, veuillez lire toutes les instructions de sécurité et d'utilisation. Ces sécurité et les instructions d'utilisation doivent être conservées en état de consultation.



- 1. Ligne d'alimentation électrique:** évitez que le cordon d'alimentation ne soit piétiné, pressé par des objets lourds ou percé. Assurez-vous que le cordon a suffisamment d'espace pour reposer sur le sol et n'est pas stressé. NE PAS tirer ni faire glisser ni la ligne d'alimentation.
- 2. Ventilation:** Cet appareil doit être installé dans un espace ventilé. NE PAS couvrir les événements du panneau arrière pour quelque raison que ce soit. S'il est placé le long d'un mur, éloignez l'unité d'au moins 10 cm pour permettre la circulation de l'air. NE PAS faire de surface qui pourrait restreindre une bonne circulation d'air.
- 3. Démontage:** NE PAS démonter ni ouvrir l'unité. Il s'agit d'une unité de haute puissance qui peut causer de graves dommages si elle est altérée. Ne pas ouvrir.
- 4. Fumée:** débranchez immédiatement le cordon d'alimentation de la prise murale si de la fumée inhabituelle apparaît et contactez le service client.

**WARNING!**

TO REDUCE THE RISK OF ELECTRIC SHOCK, DO NOT REMOVE THE COVER ON THIS SPEAKER. THERE ARE NO USER-SERVICEABLE PARTS INSIDE. REFER ALL SERVICING TO A QUALIFIED TECHNICIAN

To prevent fire or electric shock, do not expose this equipment to rain or moisture. Do not store or operate this product near any liquids, heat sources such as radiators, heat registers or under extreme weather conditions. Clean only with a dry cloth.

Users should exhibit extra safety when the WARNING or CAUTION symbol appears in this instruction manual and follow all precautions as they are stated.

**¡ADVERTENCIA!**

PARA REDUCIR EL RIESGO DE DESCARGA ELÉCTRICA, NO RETIRE LA CUBIERTA DE ESTE ALTAVOZ. NO HAY PARTES REPARABLES POR EL USUARIO ADENTRO. REFIERA TODAS LAS REPARACIONES A UN TÉCNICO CALIFICADO

Para evitar incendios o descargas eléctricas, no exponga este equipo a la lluvia ni a la humedad. No almacene ni utilice este producto cerca de líquidos, fuentes de calor como radiadores, rejillas de calefacción o bajo condiciones climáticas extremas. Limpie solamente con un paño seco.

Los usuarios deben exhibir una seguridad adicional cuando aparezca el símbolo de ADVERTENCIA o PRECAUCIÓN en este manual de instrucciones y seguir todas las precauciones indicadas.

**ATTENTION**

POUR RÉDUIRE LE RISQUE DE CHOC ÉLECTRIQUE, NE RETIREZ PAS LE COUVERCLE DE CET HAUT-PARLEUR. IL N'Y A AUCUNE PIÈCE RÉPARABLE PAR L'UTILISATEUR À L'INTÉRIEUR. RÉFÉREZ TOUTE RÉPARATION À UN TECHNICIEN QUALIFIÉ

Pour éviter tout incendie ou choc électrique, n'exposez pas cet équipement à la pluie ou à l'humidité. Ne stockez pas et n'utilisez pas ce produit à proximité de liquides, de sources de chaleur telles que radiateurs, bouches de chaleur ou dans des conditions météorologiques extrêmes. Nettoyez uniquement avec un chiffon sec.

Les utilisateurs doivent faire preuve d'une sécurité supplémentaire lorsque le symbole AVERTISSEMENT ou ATTENTION apparaît dans ce manuel d'instructions et suivre toutes les précautions telles qu'elles sont énoncées.

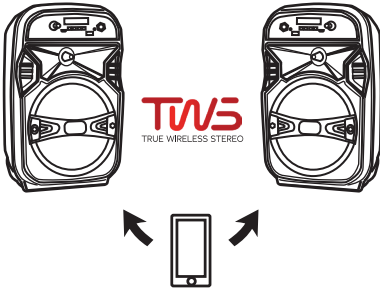
Questions? Comments? Contact Us Anytime
Preguntas? Comentarios? Contáctenos en cualquier momento
Des questions? Commentaires? Contactez-nous à tout moment



1-800-864-CLUB (2582)
Mon-Fri 9AM - 5PM (PST)



support@qfxusa.com
Mon-Fri 9AM - 5PM (PST)



TWS CONNECTION

TWS Connection is only for two speakers of the same make and model.

1. Turn on both units and enable Bluetooth mode on both speakers.
2. Press and hold the **TWS** button on one of the speakers to sync both units together (they must be the same make and model to function).
3. On your mobile device under the Bluetooth menu, search for BT-66SM and connect.
4. Open your favorite music app and enjoy True Wireless Stereo.
5. To Exit TWS press and hold the **TWS** button.



TWS CONNECTION

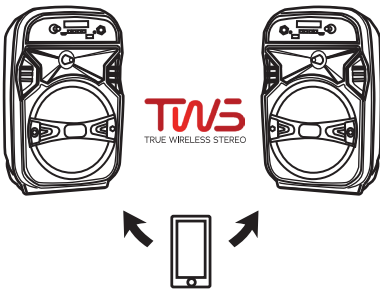
1. Encienda ambas unidades y habilite el modo Bluetooth en ambos altavoces.

2. Mantenga presionado el botón **TWS** en uno de los altavoces para sincronizar ambas unidades (deben ser de la misma marca y modelo para funcionar).

3. En su dispositivo móvil en el menú de Bluetooth, busque BT-66SM y conéctese.

4. Abra su aplicación de música favorita y disfrute de True Wireless Stereo.

5. Para salir de TWS, presione y mantenga presionado el botón **TWS**.



TWS CONNECTION

TWS Connection is only for two speakers of the same make and model.

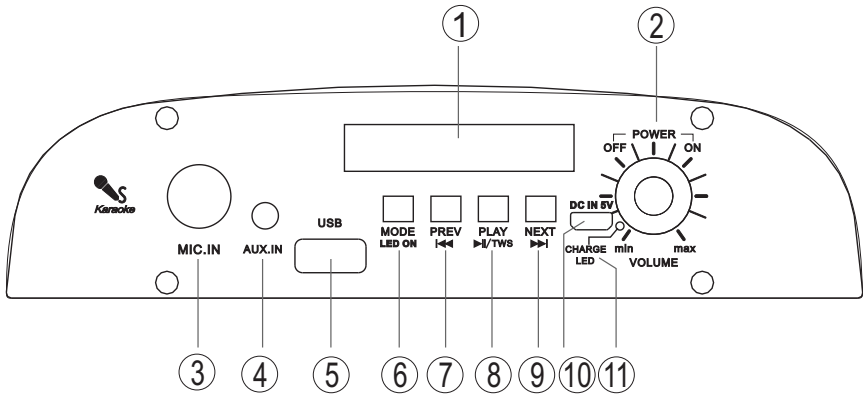
1. Allumez les deux appareils et activez le mode Bluetooth sur les deux haut-parleurs.

2. Appuyez sur le bouton TWS de l'une des enceintes et maintenez-le enfoncé pour synchroniser les deux unités ensemble (elles doivent être de la même marque et du même modèle pour fonctionner).




3. Sur votre appareil mobile dans le menu Bluetooth, recherchez BT-66SM et connectez-vous.




4. Ouvrez votre application musicale préférée et profitez de True Wireless Stereo.

5. Pour quitter TWS, maintenez le bouton TWS enfoncé.



1. Display: Shows the information of the current MODE
2. ON/OFF: Toggle the switch to turn ON/OFF the unit.
3. MIC: Plug in a 6.35mm TS or TRS microphone cable for mic use.
4. AUX: Plug in and external audio device using a 3.5mm TRS cable.
5. USB Port: Insert a USB flashdrive with .mp3 content for music playback.
6. **MODE** : Use the M button to toggle through different modes: BT/AUX/USB/TF.
7. **◀** : Press for previous track. Press and hold to decrease the volume.
8. **▶** : Press to play or pause current track. Press and hold to enable TWS
9. **▶▶** : Press for next track. Press and hold to increase the volume.
10. 5V: Plug in a 5V, 1A (min) micro USB cable to supply the unit
11. LED: The LED light indicates the units battery charge. with power.

1. Pantalla: Muestra la información del MODO actual
2. ENCENDIDO / APAGADO: Mueva el interruptor para ENCENDER / APAGAR la unidad.
3. MIC: Conecte un cable de micrófono TS o TRS de 6,35 mm para usar el micrófono.
4. AUX: Conecte un dispositivo de audio externo con un cable TRS de 3,5 mm.
5. Puerto USB: Inserte una unidad flash USB con contenido .mp3 para reproducir música.
6. **MODE**: Utilice el botón M para alternar entre los diferentes modos: BT / AUX / USB / TF.
7.  : Presione para la pista anterior. Mantenga pulsado para bajar el volumen.
8.  : Presione para reproducir o pausar la pista actual. Mantenga presionado para habilitar TWS
9.  : Presione para la siguiente pista. Mantenga pulsado para aumentar el volumen.
10. 5V: Conecte un cable micro USB de 5V, 1A (min) para alimentar la unidad
11. LED: La luz LED indica la carga de la batería de la unidad. con poder.

1. Affichage: affiche les informations du MODE actuel
2. ON / OFF: Basculez l'interrupteur pour allumer / éteindre l'appareil.
3. MIC: branchez un câble de microphone TS ou TRS 6,35 mm pour une utilisation micro.
4. AUX: branchez et un périphérique audio externe à l'aide d'un câble TRS de 3,5 mm.
5. Port USB: insérez une clé USB avec un contenu .mp3 pour la lecture de musique.
6. **MODE**: Utilisez le bouton M pour basculer entre les différents modes: BT / AUX / USB / TF.
7.  : Appuyez sur pour la piste précédente. Appuyez et maintenez pour diminuer le volume.
8.  : Appuyez pour lire ou mettre en pause la piste actuelle. Appuyez et maintenez pour activer TWS
9.  : Appuyez sur pour la piste suivante. Appuyez et maintenez pour augmenter le volume.
10. 5V: branchez un câble micro USB 5V, 1A (min) pour alimenter l'unité
11. LED: Le voyant LED indique la charge de la batterie de l'unité. avec puissance.



LIMITED PRODUCT WARRANTY POLICY

Before returning your Product for service under this Warranty, please (i) read the instruction manual carefully and visit our website at www.qfxusa.com for Product updates and extended support documentation (e.g., Common Troubleshooting Guides); (ii) if you are still having trouble with your Product, please contact the QFX Customer Support Department.

Subject to the terms and conditions herein, QFX, Inc. (herein after called "QFX") warrants to the original purchaser of the Product ("Customer") that for the applicable Warranty Period listed below, the Product will be free from defects in material or workmanship under normal, non-commercial use ("Defects").

Warranty Period encompasses, as listed below, separate "Coverage Periods" for Parts and Labor, each Coverage Period to begin from the original date of Customer purchase. If Customer returns a defective Product (or any component thereof) during the applicable Warranty Period, QFX will, at its option, during the specified Coverage Periods for Parts and Labor (as applicable either: (i) repair the Product (or, as applicable, any component thereof) or (ii) replace the Product (or, as applicable, any component thereof) with a new or refurbished Product (or, as applicable, any component thereof), in either case free of charge to Customer for Parts and/or Labor (as applicable) during the specified Coverage Period only, and excluding applicable shipping charges (noted below), for which the Customer is responsible. The foregoing states the Customer's exclusive remedy and QFX sole liability for breach of the limited warranty contained herein.

This warranty covers only normal use. This warranty is not transferable. QFX is not responsible for warranty replacement should the QFX label or logo be removed or should the product fail to be properly maintained or fail to function properly as a result of **misuse, abuse, immersion in liquids, improper installation, improper shipping, damage caused by disasters such as fire, flood, or service other than by QFX.** In addition, this warranty excludes any Product (or, as applicable, any component thereof) that has been subject to or Defects resulting from: (a) any neglect or misuse by a Customer, an accident, improper application, violation of operating instructions for the Product, any other Customer-induced damage, or the alteration or removal of any Product serial number; (b) any modification or repair to Product (or, as applicable, any component thereof) by any party other than QFX or a party authorized in writing by QFX; (c) any damage to Product (or, as applicable, any component thereof) due to power surges, incorrect electrical voltage, misconnection to any device, or malfunction of any device used with the Product (or, as applicable, any component thereof); (d) cosmetic damage to the Product (or, as applicable, any component thereof) caused by normal wear and tear; (e) shipping damage that occurs while the Product is in transit; (f) damage caused by heat sources, sunlight, electromagnetic conditions, or other climatic conditions or (g) any acts of God.

Product is sold to Customer for personal, non-commercial use only. Product is not warranted for Customer's commercial or rental use. In addition, Product is not warranted against failure, and should not be used by Customer for any application where (i) there is a risk that any data stored on Product will be breached or otherwise compromised, or (ii) the data stored on Product is relied upon for medical or lifesaving applications. QFX disclaims any Warranty for any of the foregoing uses to the fullest extent permitted by law. Customer assumes any and all risks associated with such uses of Product, and agrees to indemnify QFX for any damages claimed against QFX for such uses.

EXCEPT FOR EXPRESS WARRANTIES STATED ABOVE AND TO THE MAXIMUM EXTENT PERMITTED BY LAW, THE PRODUCTS ARE PROVIDED "AS IS" AND QFX DISCLAIMS ALL OTHER WARRANTIES, INCLUDING WITHOUT LIMITATION ANY IMPLIED WARRANTY (i) OF MERCHANTABILITY, (ii) OF FITNESS FOR A PARTICULAR PURPOSE, OR (iii) OF NON-INFRINGEMENT OF THIRD PARTY RIGHTS. TO THE MAXIMUM EXTENT PERMITTED BY APPLICABLE LAW, IN NO EVENT WILL QFX BE LIABLE TO CUSTOMER OR ANY THIRD PARTY FOR ANY INDIRECT, SPECIAL, INCIDENTAL, CONSEQUENTIAL, EXEMPLARY OR PUNITIVE DAMAGES, INCLUDING, WITHOUT LIMITATION, ANY LOST PROFITS OR REVENUES, LOSS OR INACCURACY OF ANY DATA OR COST OF SUBSTITUTE GOODS, REGARDLESS OF THE THEORY OF LIABILITY (INCLUDING NEGLIGENCE) AND EVEN IF QFX HAS BEEN ADVISED OF THE POSSIBILITY OF SUCH DAMAGES, QFX AGGREGATE LIABILITY TO CUSTOMER FOR ACTUAL DIRECT DAMAGES FOR ANY CAUSE WHATSOEVER SHALL BE LIMITED TO THE CUMULATIVE PRODUCT FEES PAID BY THAT CUSTOMER FOR THE PRODUCTS CAUSING THE DAMAGES, IF ANY.

This Warranty gives Customer specific rights, and Customer may also have other rights that vary from jurisdiction to jurisdiction. Warning: Some Products may contain components that are small enough to be swallowed. Please keep out of reach of children. In order for the return to be processed, you must send the Product PREPAID to the address below in the original packaging or reasonable substitute to prevent damage and include: (1) a dated sales receipt (which must have a purchase date that falls in the Warranty Period specified in the table below) that indicates the place of purchase, model number of Product, and amount paid, (2) a detailed description of Customer's problem with Product, (3) Customer's full name, phone number, and return address, (3) all of the accessories that came with the Product package must be sent along with the main Product, (4) a cashier's check or money order payable to QFX, Inc., in the amount specified for the item in the product table below for return shipping and handling. If in the case you cannot provide a money order or cashier's check, you can contact The QFX Customer Support Representative to arrange payment via credit card. No returned Product will be shipped back to a PO BOX. If a returned Product is found to have no problem and/or does not include ALL of the requirements indicated above, it may be returned back to the customer and will not be processed.

QFX USA®, Inc.
RMA Processing
Customer Support Department
2957 E. 46th Street | Vernon, CA 90058

support@qfxusa.com
(800) 864-CLUB (2582) or (323) 864-6900
qfxusa.com
Hours of Operation: Monday - Friday, 9am - 5pm PST

All prices and details below are for US Destinations excluding, Hawaii, Alaska and Puerto Rico. For excluded destinations and NON US destinations, please contact The QFX Customer Support Department directly for additional shipping fees and return instructions.

If you do not find your Product below, your Product model conflicts with multiple categories, and/or are unsure of which category the Product you have purchased will fall under, please contact our Customer Support Department for further instruction.

In order to determine the exact shipping cost that must be included with your product or paid for the product being returned, please refer to the table below. Please find the product you wish to return by category or model number prefix. QFX will not provide any return or refund to any customer for merchandise and will only honor the Limited Warranty restrictions mentioned in this document.

Please make sure to follow all directions prior to shipping back your item. If you are not sure what the shipping cost for your item is, or if your item category conflicts in the table below, please feel free to contact the QFX Support Department for further assistance.

PRODUCT CATEGORY	HANDLING	LABOR	PARTS
Earphones, Headphones, Pocket Radios, & Small Bluetooth vSpeakers	\$5.00	1 Year	1 Year
Personal Stereos	\$10.00	1 Year	1 Year
Portable Radio/Cassette	\$15.00	1 Year	1 Year
Large Portable Radio Cassette	\$20.00	1 Year	1 Year
Mobile Audio	\$10.00	1 Year	1 Year
Pro Audio SBX Systems	\$75.00	1 Year	1 Year
Pro Audio PBX Systems	\$75.00	1 Year	1 Year
Televisions	\$25.00	1 Year	1 Year
Telephones	\$10.00	1 Year	1 Year

THE WARRANTY AND REMEDY PROVIDED ABOVE ARE EXCLUSIVE AND IN LIEU OF ALL OTHER EXPRESSED OR IMPLIED WARRANTIES INCLUDING, BUT NOT LIMITED TO, THE IMPLIED WARRANTIES OF MERCHANTABILITY, NON-INFRINGEMENT OR FITNESS FOR A PARTICULAR PURPOSE. SOME LAWS DO NOT ALLOW THE EXCLUSION OF IMPLIED WARRANTIES. IF THESE LAWS APPLY, THEN ALL EXPRESSED OR IMPLIED WARRANTIES ARE LIMITED TO THE WARRANTY PERIOD IDENTIFIED ABOVE. UNLESS STATED HEREIN, ANY STATEMENT OR REPRESENTATIONS MADE BY ANY OTHER PERSONS OR FIRM ARE VOID. EXCEPT AS PROVIDED IN THIS WRITTEN WARRANTY, QFX SHALL NOT BE LIABLE FOR ANY LOSS, INCONVENIENCE, OR DAMAGE, INCLUDING DIRECT, SPECIAL, INCIDENTAL OR CONSEQUENTIAL DAMAGES, RESULTING FROM THE USE OR INABILITY TO USE THE QFX PRODUCT, WHETHER RESULTING FROM BREACH OF WARRANTY OR ANY OTHER LEGAL THEORY.

Some jurisdictions do not allow limitations on how long an implied warranty lasts, and some jurisdictions do not allow the exclusion or limitation of incidental or consequential damages, so the above limitations and exclusions may not apply to you. This warranty gives you special legal rights and you may have other rights which vary from jurisdiction to jurisdiction.

Copyright Protected 2021 ©



www.qfxusa.com

THANK YOU.

Enjoy your speaker and make many memories with it because
QFX is Where the Party Begins!

We would love to hear about your BT-66SM Journey!
Tag us **@QFXUSA** to share your stories.