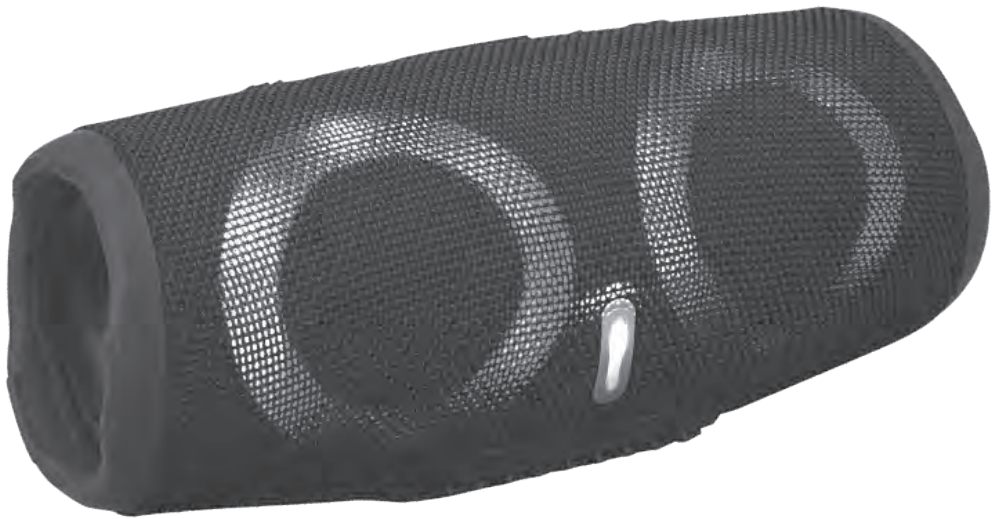


# Wireless Speaker Instructions

---

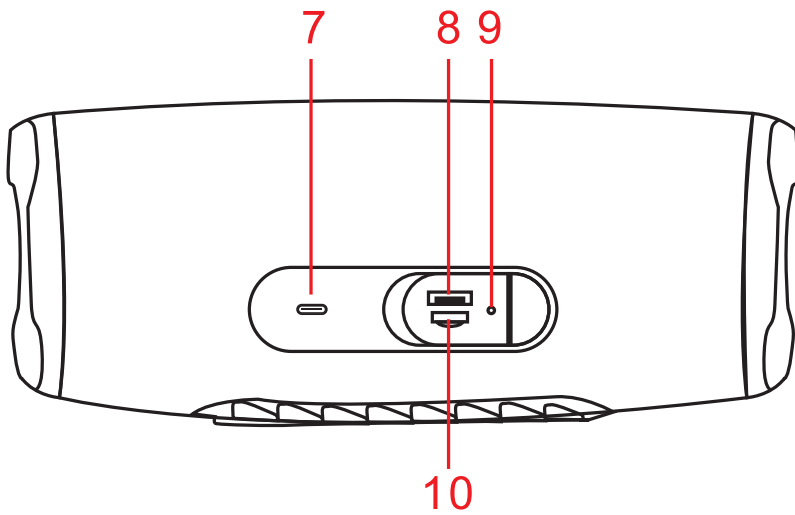
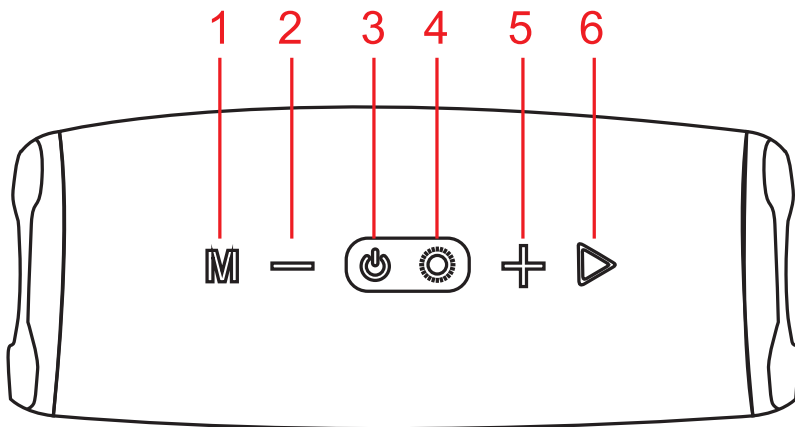
Portable Wireless Speaker

**QFX BT-403**



# Wireless Speaker - QFX BT-403

Wireless Speaker 🎧



# Wireless Speaker - QFX BT-403

---

## Wireless Speaker 🎧

1. Mode button: short press to switch the mode between bluetooth and FM
2. Volume decrease and previous track button:  
Short press to play the previous track, long press and hold to decrease the volume
3. Power button:  
Press and hold for 3 seconds to turn on and turn off the speaker
4. Led button: short press to switch the lighting mode and turn off the light
5. Volume increase and next track button:  
Short press to play the next track, long press and hold to increase the volume
6. Play/ pause button: short press to pause the music playing/ resume the music playing
7. Micro-USB charging port
8. U Disk port
9. AUX port
10. TF card port

TWS connection: Turn on the two speakers of the same model, and when the two speakers are in the bluetooth mode, press and hold the LED button for 2-3 seconds, a tone will be heard, then the two speakers connected successfully.

# Wireless Speaker - QFX BT-403

---

Wireless Speaker 