

---

# SBX SERIES

Professional ABS Moulded Loudspeakers.  
Professionelle ABS Geformter Lautsprecher  
Cajas Acústicas ABS Profesionales  
Haut-Parleur Moulé Par ABS Professionnel



## SBX-1531

OPERATIONS MANUAL  
BEDIENUNGSHANDBUCH  
MANUAL DE INSTRUCCIONES  
MANUEL D INSTRUCTIONS

SBX-1531 with FM Radio/USB/TF Recording

**QFX**®

# SBX SERIES

MULTI LANGUAGE INSTRUCTIONS  
ENGLISH.....

PAGE 2



## PLEASE READ BEFORE USING APPLIANCE IMPORTANT WARNING AND SAFETY INSTRUCTIONS!



**CAUTION**

RIESGO DE POSIBLE  
DESCARGA ELECTRICA  
NO ABRIR!



**CAUTION:** This product satisfies FCC regulations when shielded cables and connectors are used to connect the unit to other equipment. To prevent electromagnetic interference with electric appliances such as radios and televisions, use shielded cables and connectors for connections.

The exclamation point within an equilateral triangle is intended to alert the user to the presence of important operating and maintenance (servicing) instructions in the literature accompanying the appliance.

The lightning flash with arrowhead symbol, within an equilateral triangle, is intended to alert the user to the presence of uninsulated "dangerous voltage" within the product's enclosure that may be of sufficient magnitude to constitute a risk of electric shock to persons.

**READ INSTRUCTIONS:** All the safety and operating instructions should be read before the product is operated.

**RETAIN INSTRUCTIONS:** The safety and operating instructions should be retained for future reference.

**HEED WARNINGS:** All warnings on the product and in the operating instructions should be adhered to.

**FOLLOW INSTRUCTIONS:** All operating and use instructions should be followed.

**CLEANING:** The product should be cleaned only with a polishing cloth or a soft dry cloth. Never clean with furniture wax, benzene, insecticides or other volatile liquids since they may corrode the cabinet.

**ATTACHMENTS:** Do not use attachments not recommended by the product manufacturer as they may cause hazards.

**WATER AND MOISTURE:** Do not use this product near water, for example, near a bathtub, wash bowl, kitchen sink, or laundry tub; in a wet basement; or near a swimming pool; and the like.

**ACCESSORIES:** Do not place this product on an unstable cart, stand, tripod, bracket, or table. The product may fall, causing serious injury to a child or adult, and serious damage to the product. Use only with a cart, stand, tripod, bracket, or table recommended by the manufacturer, or sold with the product. Any mounting of the product should follow the manufacturer's instructions, and should use a mounting accessory recommended by the manufacturer.

**CART:** A product and cart combination should be moved with care. Quick stops, excessive force, and uneven surfaces may cause the product and cart combination to overturn. See Figure A.

**VENTILATION:** Slots and openings in the cabinet are provided for ventilation and to ensure reliable operation of the product and to protect it from overheating, and these openings must not be blocked or covered. The openings should never be blocked by placing the product on a bed, sofa, rug, or other similar surface. This product should not be placed in a built-in installation such as a bookcase or rack unless proper ventilation is provided or the manufacturer's instructions have been adhered to.

**POWER SOURCES:** This product should be operated only from the type of power source indicated on the marking label. If you are not sure of the type of power supply to your home, consult your product dealer or local power company.

**LOCATION:** The appliance should be installed in a stable location.

**NON-USE PERIODS:** The power cord of the appliance should be unplugged from the outlet when left unused for a long period of time.

**GROUNDING OR POLARIZATION:**

- If this product is equipped with a polarized alternating current line plug (a plug having one blade wider than the other), it will fit into the outlet only one way. This is a safety feature. If you are unable to insert the plug fully into the outlet, try reversing the plug. If the plug should still fail to fit, contact your electrician to replace your obsolete outlet. Do not defeat the safety purpose of the polarized plug.
- If this product is equipped with a three-wire grounding type plug, a plug having a third (grounding) pin, it will only fit into a grounding type power outlet. This is a safety feature. If you are unable to insert the plug into the outlet, contact your electrician to replace your obsolete outlet. Do not defeat the safety purpose of the grounding type plug.

**POWER-CORD PROTECTION:** Power-supply cords should be routed so that they are not likely to be walked on or pinched by items placed upon or against them, paying particular attention to cords at plugs, convenience receptacles, and the point where they exit from the product.

**OUTDOOR ANTENNA GROUNDING:** If an outside antenna or cable system is connected to the product, be sure the antenna or cable system is grounded so as to provide some protection against voltage surges and built-up static charges. Article 810 of the National Electrical Code, ANSI/NFPA 70, provides information with regard to proper grounding of the mast and supporting structure, grounding of the lead-in wire to an antenna discharge unit, size of grounding conductors, location of antenna-discharge unit, connection to grounding electrodes, and requirements for the grounding electrode. See Figure B.

**LIGHTNING:** For added protection for this product during a lightning storm, or when it is left unattended and unused for long periods of time, unplug it from the wall outlet and disconnect the antenna or cable system. This will prevent damage to the product due to lightning and power-line surges.

**POWER LINES:** An outside antenna system should not be located in the vicinity of overhead power lines or other electric light or power circuits, or where it can fall into such power lines or circuits. When installing an outside antenna system, extreme care should be taken to keep from touching such power lines or circuits as contact with them might be fatal.

**OVERLOADING:** Do not overload wall outlets, extension cords, or integral convenience receptacles as this can result in a risk of fire or electric shock.

**OBJECT AND LIQUID ENTRY:** Never push objects of any kind into this product through openings as they may touch dangerous voltage points or short-out parts that could result in a fire or electric shock. Never spill liquid of any kind on the product.

**SERVICING:** Do not attempt to service this product yourself as opening or removing covers may expose you to dangerous voltage or other hazards. Refer all servicing to qualified service personnel.

**DAMAGE REQUIRING SERVICE:** Unplug this product from the wall outlet and refer servicing to qualified service personnel under the following conditions:

- When the power-supply cord or plug is damaged.
- If liquid has been spilled, or objects have fallen into the product.
- If the product has been exposed to rain or water.
- If the product does not operate normally by following the operating instructions. Adjust only those controls that are covered by the operating instructions as an improper adjustment of other controls may result in damage and will often require extensive work by a qualified technician to restore the product to its normal operation.
- If the product has been dropped or damaged in any way.
- When the product exhibits a distinct change in performance, this indicates a need for service.

**REPLACEMENT PARTS:** When replacement parts are required, be sure the service technician has used replacement parts specified by the manufacturer or have the same characteristics as the original part. Unauthorized substitutions may result in fire, electric shock, or other hazards.

**SAFETY CHECK:** Upon completion of any service or repairs to this product, ask the service technician to perform safety checks to determine that the product is in proper operating condition.

**WALL OR CEILING MOUNTING:** The product should not be mounted to a wall or ceiling.

**HEAT:** The product should be situated away from heat sources such as radiators, heat registers, stoves, or other products (including amplifiers) that produce heat.



Fig. A

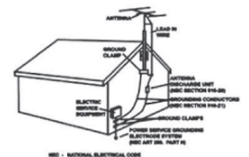
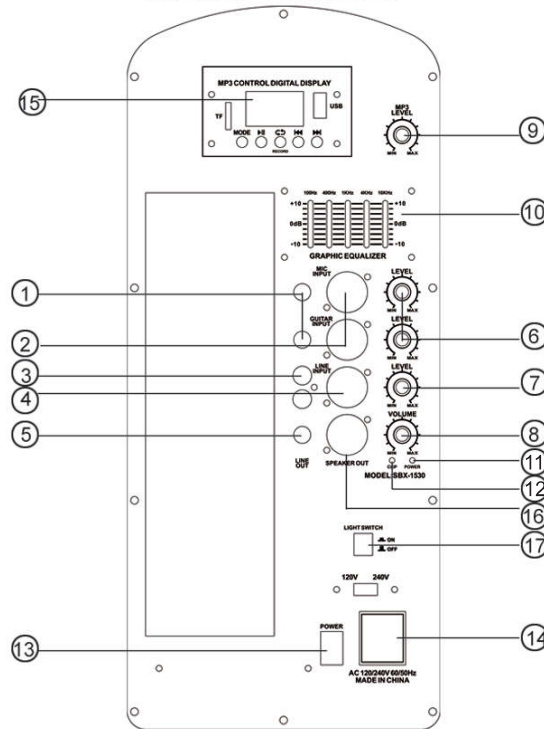


Fig. B

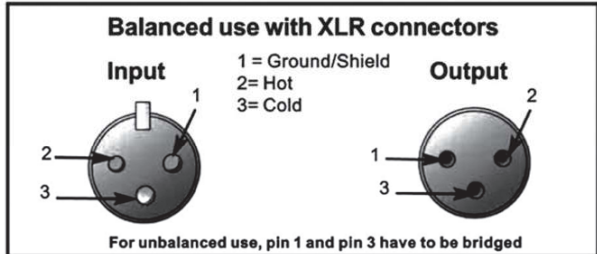
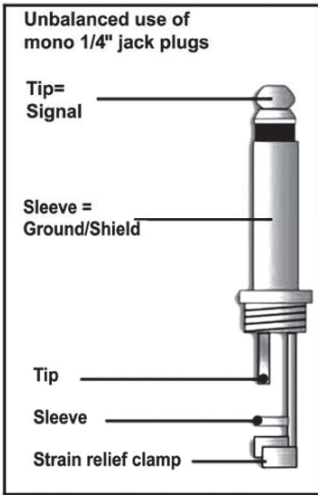
# SBX SERIES

## POWERED SPEAKERS REAR PANELS

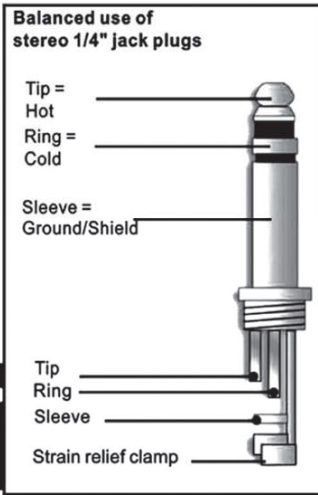


### SBX-1531

## Connections



For connections of balanced and unbalanced plugs, ring and sleeve have to be bridged at the stereo plug



### Instruction of Using Wireless Mic:

- Step 1: Insert battery into wireless microphone when you are ready to use
- Step 2: For best sound, use the microphone in the case so it does not interfere with radios
- Step 3: When the microphone is switched to ON, is working
- Step 4: The microphone enters standby mode when it is switched to MUTE
- Step 5: To power down the microphone switch the button to OFF
- Step 6: The best pickup distance from mouth to microphone is between 1-2 cm

## SBX SERIES

### INTRODUCTION

Congratulations on your purchase of a CLUB SBX Series loudspeaker. Your product is backed by a 90 days limited warranty. Please register your product by using the included form at the end of this manual.

- CAUTIONS:**
1. All operating instructions should be read before using this equipment.
  2. To reduce the risk of electrical shock, do not open the unit.  
there are NO USER OR SERVICABLE PARTS INSIDE

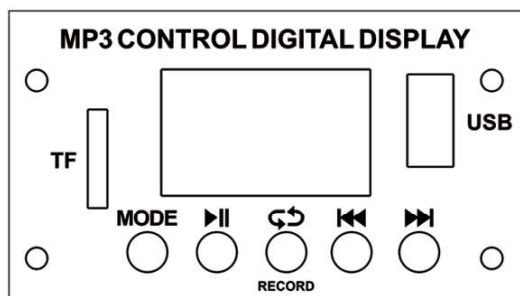


### CONTROL ELEMENTS (POWERED SPEAKERS)

- ① **MIC/GUITAR/LINE LEVEL INPUT JACK**-This jack is used for a Microphone /Guitar and line level inputs. Connect CD players or Tape Decks to LINE inputs. LINE level musical instruments with stereo outputs such as Rhythm Machines, Keyboards or Samplers should also be connected to LINE inputs.
- ② **MIC/GUITAR LINE LEVEL XLR INPUT JACK**-This jack is used for Microphone /Guitar 1 and line level inputs. Connect CD players or Tape Decks to LINE inputs. Line level musical instruments with stereo outputs such as Rhythm Machines or Samplers should also be connected to the LINE inputs. **Do not connect mixers to this input, use the Balanced XLR or RCA In- put (3 or 4) only!**
- ③ **BALANCED RCA LINE INPUT**-This connection is designed to accept a balanced line input signal from a mixer or other line level device with a balanced output jack. Use a balanced cable when the signal cable length exceeds 4 feet, this will reduce excessive signal loss. Be sure to connect only line level input devices such as mixers and tape machines to this jack.
- ④ **BALANCED XLR LINE INPUT**-This connection is designed to accept a balanced line input signal from a mixer or other line level device with a balanced output jack. Use a balanced cable when the signal cable length exceeds 15 feet, this will reduce excessive signal loss. Be sure to connect only line level input devices such as mixers and tape machines to this jack.
- ⑤ **LINE OUTPUT JACK**-This Jack is used to send the incoming line level signal to line Input on another mixer or power amplifier.
- ⑥ **MICROPHONE/GUITAR LINE LEVEL INPUT LEVEL**- This knob is used to regulate the output signal of the microphone /guitar or CD player/tape deck that is connected to the Mic/guitar line Level jack(1&2)
- ⑦ **MIC LINE LEVEL INPUT JACK**-This jack is used for a Microphone and line level input. Connect CD players or Tape Decks to LINE inputs. Line level musical instruments with stereo outputs such as Rhythm Machines, Keyboards or Samplers should also be connected to Line inputs.
- ⑧ **OUTPUT VOLUME**-This knob is used to regulate the output signal being sent to other line level input jacks such as a mixer or power amp 5.
- ⑨ **MP3 CONTROL**-This knob is used to regulate to amount MP3 applied to the output signal.
- ⑩ **5-BAND GRAPHIC EQ**  
The 5-band channel graphic equalizer allows you to adjust the frequency response of the L and R Channel bus signal, providing a maximum of  $\pm 12$ dB of cut and boost for each frequency band from the flat position.
- ⑪ **POWER LED**-This L.E.D will be lit when you switch on the power.
- ⑫ The clip light is on, when sound distortion.
- ⑬ **On/Off switch**-Press to turn the device on/off.
- ⑭ **AC Input**-Use it to plug the supplied power cord.
- ⑮ **MP3 PLAYER**
- ⑯ **SPEAKON** This connection is for connecting one 8 ohms passive speaker with minimum 150 Watts RMS power.
- ⑰ **LIGHT SWITCH**-Press to turn the light on/off

# SBX SERIES

## MP3 player Controls



### Remark:

Explanation of recording function for SBX-1531:

Step1: Hold down the "RECORD" key for a few seconds, then person can start to record when inserting USB or TF card.

Step2: Hold down the "RECORD" key for a few seconds again to finish recording.

Device	USB	TF	FM	BT
Mode	press Hold down the KEY for a few seconds	switching mode	switching mode	switching mode
Play & pause	press Hold down the KEY for a few seconds	Play & pause there is no recording file in the MP3, the "KEY" doesn't work; there is recording file in the MP3, the "KEY" is switch recording file and music	Play & pause there is no recording file in the MP3, the "KEY" doesn't work; there is recording file in the MP3, the "KEY" is switch recording file and music	Play & pause searching the channels automatically
Recycle key	press Hold down the KEY for a few seconds	switching between "one"and "all"	switching between "one"and "all"	—
PREV	press Hold down the KEY for a few seconds	Record PREV song	Record PREV song	—
NEXT	press Hold down the KEY for a few seconds	Fast Backward NEXT song	Fast Backward NEXT song	—
		fast forward	fast forward	VOL- VOL+

### Connect a Bluetooth Device on SBX-1531

1. Turn the speaker on. On the speaker, press "MODE" until you see "NO-b" on the LED screen on the speaker.
2. Turn on the power of the connecting device (computer/cell phone) you want to pair the speaker with. Turn on the Bluetooth function on the connecting device. Following the device instruction on how to pair a Bluetooth device. If asked for an input passkey, input the number "0000" or "1234." (This is the default passkey for the majority of Bluetooth devices)

Range for Bluetooth device is around 30 Feet (10m) in optimal conditions

### "FM" RADIO OPERATION

1. Press input to select FM Radio.
2. Push Play/Pause button once on the unit or the remote to scan for radio stations in your area.
3. Scanning will complete in about 20-30 seconds. After this scanning the radio will automatically preset station in your area into the radio. There is no need to do this again unless you take this unit to a new area. Then just follow the set-up instruction again to scan for your new area
4. Press fast forward or fast backwards on the unit or the remote to change stations.



Specifications subject to change without notice for improvement

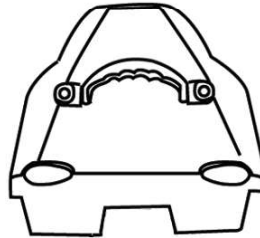


## SBX SERIES

### SPEAKER STANDS

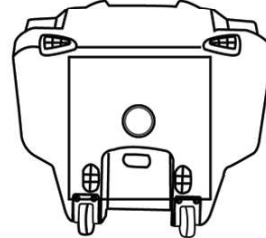


### MOUNTUNG TOP VIEW



( **SBX-1531** )

### UNDERSIDE



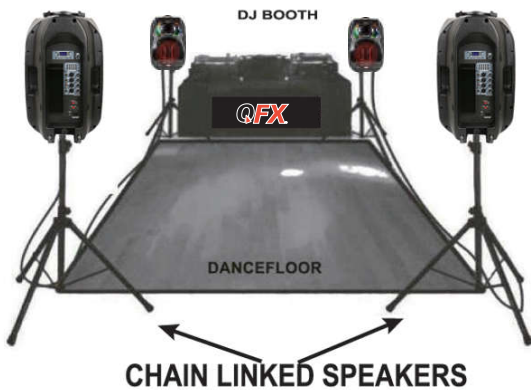
- (A) **LOCKING PIN** You can lock the stand in its socket by inserting the **LOCKING PIN** after you have mounted the stand securely.
- (B) **SPEAKER RIGGING** mounting hardware should be used to hang the speaker where appropriate.
- (C) **STACKING** You can also stack the **PB SERIES** speakers by placing the **RUBBER FEET** into the **STACKING GROOVES**.
- (D) **STAND MOUNTING** Insert a stand into the **STAND MOUNTING SOCKET**

### SPECIFICATIONS

Woofer magnet wieght  
 Woofer voice coil  
 Woofer impedance  
 Woofer RMS wattage  
 Woofer peak wattage  
 Compression driver magnet wieght  
 Compression driver diaphragm size  
 Compression driver RMS wattage  
 Compression driver peak wattage  
 Crossover specification  
 Nominal horn dispersion  
 Sensitivity  
 Frequency response  
 Type of amplifier  
 Total RMS wattage  
 Total peak wattage  
 Stand mount hole

### SBX-1531

60oz  
 3" / 75mm  
 8/4 Ohms  
 180 Watts  
 300 Watts  
 23oz  
 1.75" /44mm  
 40 Watts  
 150 Watts  
 3 KHz, 12dB/Oct  
 30" x 60"  
 98 dB/1m/1w  
 50-20KHz  
 Mono-Power Amp+MP3  
 300 Watts  
 800 Watts  
 35 mm



SBX-1531 ( 21.86KG 48.19lbs )

