

PBX-18

# QFX<sup>®</sup>

INSTRUCTION MANUAL





# NOTES NOTAS REMARQUES

## **PLEASE READ THIS MANUAL BEFORE USE**

- Do not use in high temperatures or moist environments
- Do not use in extremely high temperatures or near fire
- Do not disassemble the unit
- Maintenance on speaker should only be performed by professionals
- Do not get the unit wet or place near containers filled with any sort of liquid
- Only replace the battery with the same or equivalent type of battery
- Only use the power adapter that is included with unit or a 5V adapter

## **POR FAVOR LEA ESTE MANUAL ANTES DE USARLO**

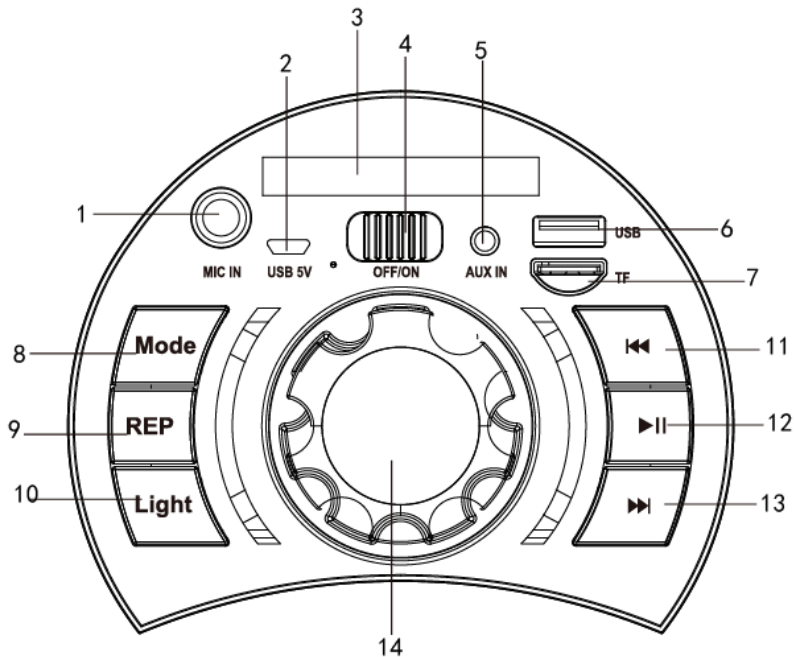
- No lo use en ambientes húmedos o a altas temperaturas
- No lo use en temperaturas extremadamente altas o cerca del fuego
- No desmonte la unidad
- El mantenimiento del altavoz solo debe ser realizado por profesionales.
- No moje la unidad ni la coloque cerca de contenedores llenos de ningún tipo de líquido.
- Solo reemplace la batería con el mismo tipo de batería o equivalente.
- Utilice únicamente el adaptador de corriente que se incluye con la unidad o un adaptador de 5 V

## **VEUILLEZ LIRE CE MANUEL AVANT L'UTILISATION**

- Ne pas utiliser dans des températures élevées ou des environnements humides
- Ne pas utiliser à des températures extrêmement élevées ou à proximité d'un feu
- Ne démontez pas l'appareil
- La maintenance du haut-parleur ne doit être effectuée que par des professionnels
- Ne mouillez pas l'appareil et ne le placez pas à proximité de récipients remplis de toute sorte de liquide
- Remplacez la batterie uniquement par un type de batterie identique ou équivalent
- Utilisez uniquement l'adaptateur secteur fourni avec l'appareil ou un adaptateur 5V

# CONTROL PANEL

PANEL DE CONTROL  
PANNEAU DE COMMANDE



1. MIC IN
2. CHARGING PORT
3. LED DISPLAY
4. POWER ON/OFF
5. AUX IN PORT
6. USB
7. MICROSD™
8. MODE
9. REPEAT
10. LIGHTS
11. PREVIOUS
12. PLAY/PAUSE
13. NEXT
14. MASTER VOLUME

1. ENTRADA DE MICRÓFONO
2. PUERTO DE CARGA
3. PANTALLA LED
4. ENCENDIDO/APAGADO
5. AUX IN PUERTO
6. USB
7. MICROSD™
8. MODO
9. REPETIR
10. LUCES
11. ANTERIOR
12. REPRODUCIR/PAUSAR
13. SIGUIENTE
14. VOLUMEN MAESTRO

1. ENTRÉE MICRO
2. PORT DE CHARGEMENT
3. AFFICHAGE LED
4. MISE SOUS / HORS TENSION
5. AUX IN PORT
6. USB
7. MICROSD™
8. MODE
9. RÉPÉTER
10. LUMIÈRES
11. PRÉCÉDENT
12. LECTURE / PAUSE
13. SUIVANT
14. VOLUME PRINCIPAL

## **GENERAL**

- Supports USB, MicroSD™, FM radio, AUX, Bluetooth, and Wired Microphone
- Powered by a long-lasting lithium batteries.
- Digital power amplifier & integrated SMT technology provide stability and durability.
- Bright LED digital display

## **GENERAL**

- Admite USB, MicroSD™, radio FM, AUX, Bluetooth y micrófono con cable
- Alimentado por baterías de litio de larga duración.
- El amplificador de potencia digital y la tecnología SMT integrada brindan estabilidad y durabilidad.
- Pantalla digital LED brillante

## **GÉNÉRAL**

- Prend en charge USB, MicroSD™, radio FM, AUX, Bluetooth et microphone filaire
- Alimenté par des piles au lithium longue durée.
- L'amplificateur de puissance numérique et la technologie SMT intégrée offrent stabilité et durabilité.
- Affichage numérique LED lumineux

## PLAYING MP3 AUDIO

Insert USB and unit automatically plays existing MP3 WMA formatted songs.

### REPRODUCCIÓN DE AUDIO MP3

Insérte el USB y la unidad reproducirá automáticamente las canciones existentes en formato MP3 WMA.

### LECTURE D'AUDIO MP3

Insérez une clé USB et l'appareil lit automatiquement les morceaux existants au format MP3 WMA.

## MicroSD™

Insert MicroSD™ card and unit automatically plays existing MP3 WMA formatted songs.

**Play/Pause** Press for Play or Pause

**Previous/Next Song** Press for previous and next song

**Repeat** Press to toggle between single song or full cycle repeat

### MicroSD™

Insérte la tarjeta MicroSD™ y la unidad reproducirá automáticamente las canciones existentes en formato MP3 WMA.

**Reproducir/Pausar** Presione para reproducir o pausar

**Canción anterior/siguiente** Presione para la canción anterior y siguiente

**Repetir** Presione para alternar entre repetición de una sola canción o ciclo completo

### MicroSD™

Insérez la carte MicroSD™ et l'appareil lit automatiquement les morceaux existants au format MP3 WMA.

**Lecture/Pause** Appuyez pour Lecture ou Pause

**Chanson précédente/suivante** Appuyez pour la chanson précédente et suivante

**Répéter** Appuyez pour basculer entre une seule chanson ou une répétition complète

## FM RADIO

Press the MODE button to switch to the FM radio

**Play/Pause** Press for mute or press and hold to perform a scan of all available stations

**Previous/Next** Press to jump to and from saved stations

NOTE: Scan stations first to record the stations

### RADIO FM

Presione el botón MODE para cambiar a la radio FM

**Reproducir / Pausar** Presione para silenciar o mantenga presionado para realizar un escaneo de todas las estaciones disponibles

**Anterior / Siguiente** Presione para saltar ay desde estaciones guardadas

NOTA: Primero busque las estaciones para grabar las estaciones.

### RADIO FM

Appuyez sur le bouton MODE pour passer à la radio FM

**Lecture / Pause** Appuyez pour couper le son ou appuyez et maintenez pour balayer toutes les stations disponibles

## **BLUETOOTH**

Press the MODE button to switch to Bluetooth mode

Turn on an external bluetooth device's bluetooth settings and search for "QFX PBX-18" in the bluetooth settings. Click "QFX PBX-18" on your external device to pair the speaker and the device. When you hear a sound from the speaker, the two have been successfully paired.

## **BLUETOOTH**

Presione el botón MODE para cambiar al modo Bluetooth

Active la configuración de bluetooth de un dispositivo bluetooth externo y busque "QFX PBX-18" en la configuración de bluetooth. Haga clic en "QFX PBX-18" en su dispositivo externo para emparejar el altavoz y el dispositivo. Cuando escuche un sonido del altavoz, los dos se emparejaron correctamente.

## **BLUETOOTH**

Appuyez sur le bouton MODE pour passer en mode Bluetooth

Activez les paramètres Bluetooth d'un appareil Bluetooth externe et recherchez «QFX PBX-18» dans les paramètres Bluetooth. Cliquez sur «QFX PBX-18» sur votre appareil externe pour coupler le haut-parleur et l'appareil. Lorsque vous entendez un son provenant du haut-parleur, les deux ont été couplés avec succès.

## **PARTY LIGHTS**

The default Party Light setting is on

Press the Light button to switch the light ON/OFF

Press and hold the light button to switch light effects

## **LUCES DE FIESTA**

La configuración predeterminada de Party Light está activada

Presione el botón de luz para encender / apagar la luz

Mantenga presionado el botón de luz para cambiar los efectos de luz

## **FEUX DE FÊTE**

Le paramètre Éclairage de fête par défaut est activé

Appuyez sur le bouton Lumière pour allumer / éteindre la lumière

Appuyez sur le bouton d'éclairage et maintenez-le enfoncé pour changer les effets de lumière

## Charging & Battery Indication

If the battery symbol in the display is flashing, the unit needs to be charged. In this state, the product volume will decrease to about 70% of the main volume.

The unit is fully charged when the charging indicator light turns off.

Always use a DC 5V adapter to charge the speaker.

*Avoid damaging the battery by charging the speaker for more than 12 hours when charging for the first time.*

### Indicación de carga y batería

Si el símbolo de la batería en la pantalla parpadea, es necesario cargar la unidad. En este estado, el volumen del producto disminuirá hasta aproximadamente el 70% del volumen principal.

La unidad está completamente cargada cuando la luz indicadora de carga se apaga.

Utilice siempre un adaptador DC 5V para cargar el altavoz.

*Evite dañar la batería cargando el altavoz durante más de 12 horas cuando lo cargue por primera vez.*

### Charge et indication de la batterie

Si le symbole de la batterie sur l'écran clignote, l'appareil doit être chargé. Dans cet état, le volume du produit diminuera à environ 70% du volume principal.

L'unité est complètement chargée lorsque le voyant de charge s'éteint.

Utilisez toujours un adaptateur DC 5V pour charger le haut-parleur.

*Évitez d'endommager la batterie en chargeant l'enceinte pendant plus de 12 heures lors de la première charge.*

## SPECIFICATIONS

Power output: 15W

Radio Frequency: 90Hz-20KHz

Drive unit: 8" 4Ω & 1" tweeter

S/N Ratio ≥ 60dB

DC Input: USB 5V

Lithium Battery: 3.7V 1200mAh

Dimensions: 246x220x343mm

## ESPECIFICACIONES

Potencia de salida: 15 W

Frecuencia de radio: 90Hz-20 KHz

Transmisión: 8" 4Ω y tweeter de 1"

Relación S / N ≥ 60dB

Entrada DC: USB 5V

Batería de litio: 3,7 V 1200 mAh

Dimensiones: 246x220x343mm

## CARACTÉRISTIQUES

Puissance de sortie: 15 W

Fréquence radio: 90Hz-20KHz

Entraînement: 8" 4Ω & tweeter 1"

Rapport S / N ≥ 60dB

Entrée CC: USB 5V

Batterie au lithium: 3,7 V 1200 mAh

Dimensions: 246x220x343mm

## CONTENTS

1 Speaker

1 Adaptor

1 Manual

## CONTENIDO

1 altavoz

1 adaptador

1 manual

## CONTENU

1 haut-parleur

1 adaptateur

1 manuel





## LIMITED PRODUCT WARRANTY POLICY

Before returning your Product for service under this Warranty, please (i) read the instruction manual carefully and visit our website at [www.qfxusa.com](http://www.qfxusa.com) for Product updates and extended support documentation (e.g., Common Troubleshooting Guides); (ii) if you are still having trouble with your Product, please contact the QFX Customer Support Department.

Subject to the terms and conditions herein, QFX, Inc. (herein after called "QFX") warrants to the original purchaser of the Product ("Customer") that for the applicable Warranty Period listed below, the Product will be free from defects in material or workmanship under normal, non-commercial use ("Defects").

Warranty Period encompasses, as listed below, separate "Coverage Periods" for Parts and Labor, each Coverage Period to begin from the original date of Customer purchase. If Customer returns a defective Product (or any component thereof) during the applicable Warranty Period, QFX will, at its option, during the specified Coverage Periods for Parts and Labor (as applicable either: (i) repair the Product (or, as applicable, any component thereof) or (ii) replace the Product (or, as applicable, any component thereof) with a new or refurbished Product (or, as applicable, any component thereof), in either case free of charge to Customer for Parts and/or Labor (as applicable) during the specified Coverage Period only, and excluding applicable shipping charges (noted below), for which the Customer is responsible. The foregoing states the Customer's exclusive remedy and QFX sole liability for breach of the limited warranty contained herein.

This warranty covers only normal use. This warranty is not transferable. QFX is not responsible for warranty replacement should the QFX label or logo be removed or should the product fail to be properly maintained or fail to function properly as a result of **misuse, abuse, immersion in liquids, improper installation, improper shipping, damage caused by disasters such as fire, flood, or service other than by QFX**. In addition, this warranty excludes any Product (or, as applicable, any component thereof) that has been subject to or Defects resulting from: (a) any neglect or misuse by a Customer, an accident, improper application, violation of operating instructions for the Product, any other Customer-induced damage, or the alteration or removal of any Product serial number; (b) any modification or repair to Product (or, as applicable, any component thereof) by any party other than QFX or a party authorized in writing by QFX; (c) any damage to Product (or, as applicable, any component thereof) due to power surges, incorrect electrical voltage, misconnection to any device, or malfunction of any device used with the Product (or, as applicable, any component thereof); (d) cosmetic damage to the Product (or, as applicable, any component thereof) caused by normal wear and tear; (e) shipping damage that occurs while the Product is in transit; (f) damage caused by heat sources, sunlight, electromagnetic conditions, or other climatic conditions or (g) any acts of God.

Product is sold to Customer for personal, non-commercial use only. Product is not warranted for Customer's commercial or rental use. In addition, Product is not warranted against failure, and should not be used by Customer for any application where (i) there is a risk that any data stored on Product will be breached or otherwise compromised, or (ii) the data stored on Product is relied upon for medical or lifesaving applications. QFX disclaims any Warranty for any of the foregoing uses to the fullest extent permitted by law. Customer assumes any and all risks associated with such uses of Product, and agrees to indemnify QFX for any damages claimed against QFX for such uses.

EXCEPT FOR EXPRESS WARRANTIES STATED ABOVE AND TO THE MAXIMUM EXTENT PERMITTED BY LAW, THE PRODUCTS ARE PROVIDED "AS IS" AND QFX DISCLAIMS ALL OTHER WARRANTIES, INCLUDING WITHOUT LIMITATION ANY IMPLIED WARRANTY (i) OF MERCHANTABILITY, (ii) OF FITNESS FOR A PARTICULAR PURPOSE, OR (iii) OF NON-INFRINGEMENT OF THIRD PARTY RIGHTS. TO THE MAXIMUM EXTENT PERMITTED BY APPLICABLE LAW, IN NO EVENT WILL QFX BE LIABLE TO CUSTOMER OR ANY THIRD PARTY FOR ANY INDIRECT, SPECIAL, INCIDENTAL, CONSEQUENTIAL, EXEMPLARY OR PUNITIVE DAMAGES, INCLUDING, WITHOUT LIMITATION, ANY LOST PROFITS OR REVENUES, LOSS OR INACCURACY OF ANY DATA OR COST OF SUBSTITUTE GOODS, REGARDLESS OF THE THEORY OF LIABILITY (INCLUDING NEGLIGENCE) AND EVEN IF QFX HAS BEEN ADVISED OF THE POSSIBILITY OF SUCH DAMAGES, QFX AGGREGATE LIABILITY TO CUSTOMER FOR ACTUAL DIRECT DAMAGES FOR ANY CAUSE WHATSOEVER SHALL BE LIMITED TO THE CUMULATIVE PRODUCT FEES PAID BY THAT CUSTOMER FOR THE PRODUCTS CAUSING THE DAMAGES, IF ANY.

This Warranty gives Customer specific rights, and Customer may also have other rights that vary from jurisdiction to jurisdiction. Warning: Some Products may contain components that are small enough to be swallowed. Please keep out of reach of children. In order for the return to be processed, you must send the Product PREPAID to the address below in the original packaging or reasonable substitute to prevent damage and include: (1) a dated sales receipt (which must have a purchase date that falls in the Warranty Period specified in the table below) that indicates the place of purchase, model number of Product, and amount paid, (2) a detailed description of Customer's problem with Product, (3) Customer's full name, phone number, and return address, (3) all of the accessories that came with the Product package must be sent along with the main Product, (4) a cashier's check or money order payable to QFX, Inc., in the amount specified for the item in the product table below for return shipping and handling. If in the case you cannot provide a money order or cashier's check, you can contact The QFX Customer Support Representative to arrange payment via credit card. No returned Product will be shipped back to a PO BOX. If a returned Product is found to have no problem and/or does not include ALL of the requirements indicated above, it may be returned back to the customer and will not be processed.

**QFX USA**, Inc.  
RMA Processing  
Customer Support Department  
2957 E. 46th Street | Vernon, CA 90058

support@qfxusa.com  
(800) 864-CLUB (2582) or (323) 864-6900  
qfxusa.com  
Hours of Operation: Monday - Friday, 9am - 5pm PST

All prices and details below are for US Destinations excluding, Hawaii, Alaska and Puerto Rico. For excluded destinations and NON US destinations, please contact The QFX Customer Support Department directly for additional shipping fees and return instructions.

If you do not find your Product below, your Product model conflicts with multiple categories, and/or are unsure of which category the Product you have purchased will fall under, please contact our Customer Support Department for further instruction.

In order to determine the exact shipping cost that must be included with your product or paid for the product being returned, please refer to the table below. Please find the product you wish to return by category or model number prefix. QFX will not provide any return or refund to any customer for merchandise and will only honor the Limited Warranty restrictions mentioned in this document.

Please make sure to follow all directions prior to shipping back your item. If you are not sure what the shipping cost for your item is, or if your item category conflicts in the table below, please feel free to contact the QFX Support Department for further assistance.

PRODUCT CATEGORY	HANDLING	LABOR	PARTS
Earphones, Headphones, Pocket Radios, & Small Bluetooth vSpeakers	\$5.00	1 Year	1 Year
Personal Stereos	\$10.00	1 Year	1 Year
Portable Radio/Cassette	\$15.00	1 Year	1 Year
Large Portable Radio Cassette	\$20.00	1 Year	1 Year
Mobile Audio	\$10.00	1 Year	1 Year
Pro Audio SBX Systems	\$75.00	1 Year	1 Year
Pro Audio PBX Systems	\$75.00	1 Year	1 Year
Televisions	\$25.00	1 Year	1 Year
Telephones	\$10.00	1 Year	1 Year

THE WARRANTY AND REMEDY PROVIDED ABOVE ARE EXCLUSIVE AND IN LIEU OF ALL OTHER EXPRESSED OR IMPLIED WARRANTIES INCLUDING, BUT NOT LIMITED TO, THE IMPLIED WARRANTIES OF MERCHANTABILITY, NON-INFRINGEMENT OR FITNESS FOR A PARTICULAR PURPOSE. SOME LAWS DO NOT ALLOW THE EXCLUSION OF IMPLIED WARRANTIES. IF THESE LAWS APPLY, THEN ALL EXPRESSED OR IMPLIED WARRANTIES ARE LIMITED TO THE WARRANTY PERIOD IDENTIFIED ABOVE. UNLESS STATED HEREIN, ANY STATEMENT OR REPRESENTATIONS MADE BY ANY OTHER PERSONS OR FIRM ARE VOID. EXCEPT AS PROVIDED IN THIS WRITTEN WARRANTY, QFX SHALL NOT BE LIABLE FOR ANY LOSS, INCONVENIENCE, OR DAMAGE, INCLUDING DIRECT, SPECIAL, INCIDENTAL OR CONSEQUENTIAL DAMAGES, RESULTING FROM THE USE OR INABILITY TO USE THE QFX PRODUCT, WHETHER RESULTING FROM BREACH OF WARRANTY OR ANY OTHER LEGAL THEORY.

Some jurisdictions do not allow limitations on how long an implied warranty lasts, and some jurisdictions do not allow the exclusion or limitation of incidental or consequential damages, so the above limitations and exclusions may not apply to you. This warranty gives you special legal rights and you may have other rights which vary from jurisdiction to jurisdiction.



# THANK YOU

Share your PBX-18 story with @QFXUSA





**1-800-864-CLUB**  
**Mon-Fri 9AM - 5PM (PST)**



**[support@qfxusa.com](mailto:support@qfxusa.com)**  
**Mon-Fri 9AM - 5PM (PST)**