

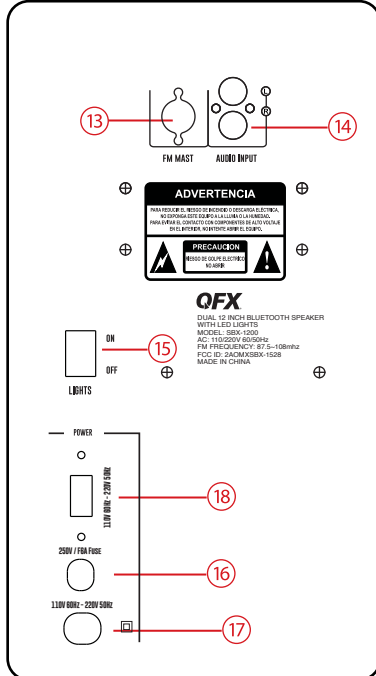
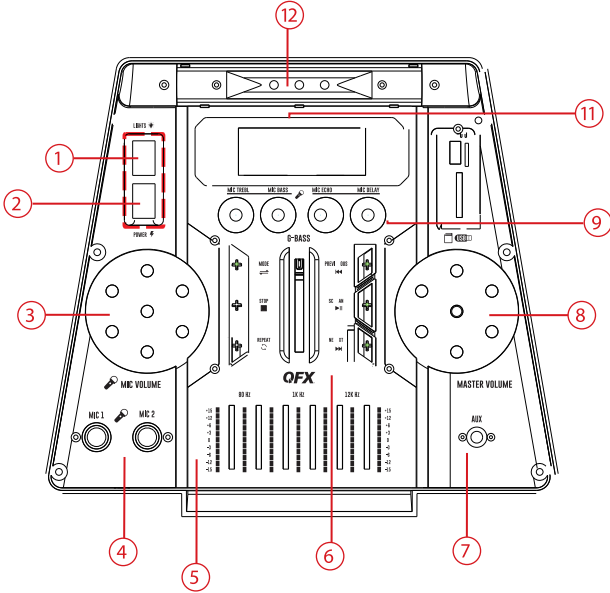
SBX-1200

# **QFX**

WHERE THE PARTY BEGINS™



**INSTRUCTION MANUAL**



## FUNCTIONS:

1. LED LIGHTS: Turn ON/OFF the LED party lights.
2. POWER SWITCH: Use the switch to turn the unit ON/OFF.
3. MIC VOLUME: Turn the dial to adjust the microphone volume.
4. MIC INPUTS: Insert a 6.25mm TRS microphone for use.
5. GRAPHIC EQ: Adjust the sound using the 6-band graphic EQ.
6. GLOBAL CONTROLS:
  - MODE BUTTON: Press to select the Bluetooth, USB/SD/TF, LINE, or FM function.
  - STOP: Press to stop the current audio track.
  - REPEAT: Press to repeat one or all audio tracks.
  - PREVIOUS: Press to select the previous track. In FM mode, press to change to the previous FM station.
  - PLAY/PAUSE: Press to play or pause audio track. In FM Mode press and hold to auto scan local FM channels. Press and hold to connect/disconnect TWS in Bluetooth mode.
  - NEXT: Press to select the next track. In FM mode, press to change to the next FM station.
7. AUX: Insert and external audio device using a 3.5mm TRS cable.
8. VOLUME +/-: Press and hold to increase the volume. Press to select next track.
9. MIC EQ/EFFECTS: Add echo and delay to the microphone signal. Adjust the microphone bass and treble EQ.
10. USB/SD/TF PORTS: Insert a USB/SD/TF Card with .mp3 music content for music playback.
11. DISPLAY SCREEN: The LED screen displays the current function.
12. BAR LIGHT: The LED Party Bar light projects up (180 degree hemisphere projection).
13. ANTENNA: Extend and adjust the telescoping antenna to maximize radio reception.
14. RCA INPUT: Connect an external stereo line level audio feed for playback.
15. LED SWITCH: Turn ON/OFF the Front LED party lights.
16. FUSE: 220V FBA/AC.
17. POWER CORD: AC INPUT
18. VOLTAGE SELECT: Select 110V or 220V. **\* PLEASE ENSURE IT IS SET TO THE CORRECT SETTING BEFORE OPERATION**

1. LUCES LED: Mantenga pulsado para activar las luces LED. Presione para seleccionar un modo de luz.
2. INTERRUPTOR DE ENCENDIDO: Use el interruptor para ENCENDER / APAGAR la unidad.
3. VOLUMEN DEL MICROFONO: Gire el dial para ajustar el volumen del micrófono.
4. ENTRADAS DE MICROFONO: Inserte un micrófono TRS de 6.25 mm para su uso.
5. EQ GRÁFICO: ajuste el sonido utilizando el ecualizador gráfico de 6 bandas.
7. AUX: Inserte un dispositivo de audio externo con un cable TRS de 3,5 mm.
6. CONTROLES GLOBALES:
  - BOTON DE MODO: presione para seleccionar la función Bluetooth, USB / SD / TF o FM.
  - DETENER: presione para detener la pista de audio actual.
  - REPETIR: presione para repetir una o todas las pistas de audio.
  - ANTERIOR: presione para seleccionar la pista anterior. En el modo FM, presione para cambiar a la estación FM anterior.
  - REPRODUCIR / PAUSAR: presione para reproducir o pausar la pista de audio. En el modo FM, mantenga pulsado para buscar automáticamente los canales FM locales. Mantenga pulsado para conectar / desconectar TWS en modo Bluetooth.
  - SIGUIENTE: presione para seleccionar la siguiente pista. En el modo FM, presione para cambiar a la siguiente estación FM.
7. AUX: Inserte un dispositivo de audio externo con un cable TRS de 3,5 mm.
8. VOLUMEN +/-: presione y mantenga presionado para aumentar el volumen. Presione para seleccionar la siguiente pista.
9. MIC EQ / EFFECTS: añade eco y retardo a la señal del micrófono. Ajuste el ecualizador de graves y agudos del micrófono.
10. PUERTOS USB / SD / TF: Inserte una tarjeta USB / SD / TF con contenido de música .mp3 para la reproducción de música.
11. PANTALLA DE VISUALIZACIÓN: La pantalla LED muestra la función actual.
12. LUZ DE BARRA: La luz LED Party Bar se proyecta hacia arriba (proyección de hemisfera de 180 grados).
13. ANTENA: extienda y ajuste la antena telescópica para maximizar la recepción de radio.
14. ENTRADA RCA: Conecte una fuente de audio de nivel de línea externa para la reproducción.
15. INTERRUPTOR DE LED: ENCIENDE / APAGA las luces de fiesta LED frontales.
16. FUSIBLE: 220V FBA / AC.
17. CABLE DE ALIMENTACIÓN: CA 220V
18. SELECCIÓN DE VOLTAJE: Seleccione 110V o 220V. **\* POR FAVOR, ASEGÚRESE DE QUE ESTÁ CONFIGURADO EN LA CONFIGURACIÓN CORRECTA ANTES DE LA OPERACIÓN**

1. LUMIÈRES LED : Appuyez et maintenez pour activer les lumières LED. Appuyez pour sélectionner un mode d'éclairage.
2. INTERRUPTEUR D'ALIMENTATION : Utilisez l'interrupteur pour allumer/éteindre l'appareil.
3. VOLUME DU MICRO : Tournez la molette pour régler le volume du microphone.
4. ENTRÉES MICRO : Insérez un microphone TRS de 6,25 mm à utiliser.
5. Égaliseur graphique : réglez le son à l'aide de l'égaliseur graphique 6 bandes.
7. AUX : Insérez un périphérique audio externe à l'aide d'un câble TRS de 3,5 mm.
6. CONTRLES GLOBAUX :
  - BOUTON MODE : Appuyez pour sélectionner la fonction Bluetooth, USB/SD/TF ou FM.
  - STOP : Appuyez pour arrêter la piste audio en cours.
  - REPEAT : Appuyez pour répéter une ou toutes les pistes audio.
  - PRÉCÉDENT : Appuyez pour sélectionner la piste précédente. En mode FM, appuyez pour passer à la station FM précédente.
  - PLAY/PAUSE : Appuyez pour lire ou mettre en pause la piste audio. En mode FM, maintenez enfoncé pour rechercher automatiquement les chaînes FM locales. Maintenez enfoncé pour connecter/déconnecter TWS en mode Bluetooth.
  - NEXT : Appuyez pour sélectionner la piste suivante. En mode FM, appuyez pour passer à la station FM suivante.
7. AUX : Insérez un périphérique audio externe à l'aide d'un câble TRS de 3,5 mm.
8. VOLUME +/- : Appuyez et maintenez enfoncé pour augmenter le volume. Appuyez pour sélectionner la piste suivante.
9. MIC EQ/EFFECTS : ajoutez de l'écho et du retard au signal du microphone. Réglez l'égaliseur des graves et des aigus du microphone.
10. PORTS USB/SD/TF : insérez une carte USB/SD/TF avec du contenu musical .mp3 pour la lecture de musique.
11. ÉCRAN D'AFFICHAGE : L'écran LED affiche la fonction actuelle.
12. LUMIÈRE DE BAR: La lumière LED Party Bar se projette vers le haut (projection à 180 degrés dans l'hémisphère).
13. ANTENNE : Déployez et ajustez l'antenne télescopique pour maximiser la réception radio.
14. ENTRÉE RCA : Connectez une source audio de niveau ligne externe pour la lecture.
15. INTERRUPTEUR LED : allumez/éteignez les lumières de fête à LED avant.
16. FUSIBLE : 220 V FBA/AC.
17. CORDON D'ALIMENTATION : 220 V CA
18. SÉLECTION DE TENSION : Sélectionnez 110V ou 220V. **\* VEUILLEZ VOUS ASSURER QU'IL EST RÉGLÉ SUR LE PARAMÈTRE COORECT AVANT L'OPÉRATION**



**TWS**  
TRUE WIRELESS STEREO



**TWS connection:** TWS Connection is only for two speakers of the same make and model.

1. **Enable Bluetooth:** Turn on both speakers and set them to BLUETOOTH mode.
2. **TWS Sync:** On one unit press and hold the Play/Pause (TWS) button for 3 seconds. The speaker will play a sound and the screen will read "BTST". The other unit will display BT.
3. **Mobile Device:** Open the Bluetooth settings on your mobile device and search for QFX SBX-1200. Select the option to pair both devices.
4. **Music Playback:** Select music from the phone and enjoy True Wireless Stereo.
5. **Exit TWS:** Press and hold the Play/Pause/(TWS) button for 3 seconds to exit the TWS function.

**Conexión TWS:** La conexión TWS es solo para dos altavoces de la misma marca y modelo.

1. **Habilite Bluetooth:** encienda ambos altavoces y configúrelos en el modo BLUETOOTH.
2. **TWS Sync:** en una unidad, mantenga presionado el botón Reproducir / Pausa (TWS) durante 3 segundos. El altavoz reproducirá un sonido y la pantalla leerá "BTST". La otra unidad mostrará BT.
3. **Dispositivo móvil:** abra la configuración de Bluetooth en su dispositivo móvil y busque QFX SBX-1200. Seleccione la opción para emparejar ambos dispositivos.
4. **Reproducción de música:** seleccione música del teléfono y disfrute de True Wireless Stereo.
5. **Salga de TWS:** Mantenga presionado el botón Reproducir / Pausa / (TWS) durante 3 segundos para salir de la función TWS.

**Connexion TWS :** La connexion TWS est uniquement pour deux haut-parleurs de la même marque et du même modèle.

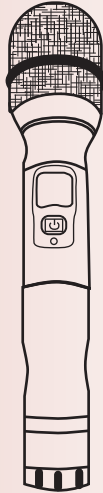
1. **Activer Bluetooth :** allumez les deux haut-parleurs et réglez-les en mode BLUETOOTH.
2. **TWS Sync :** sur une unité, appuyez sur le bouton Lecture/Pause (TWS) et maintenez-le enfoncé pendant 3 secondes. Le haut-parleur émettra un son et l'écran affichera « BTST ». L'autre unité affichera BT.
3. **Appareil mobile :** ouvrez les paramètres Bluetooth sur votre appareil mobile et recherchez QFX SBX-1200. Sélectionnez l'option pour jumeler les deux appareils.
4. **Lecture de musique :** sélectionnez la musique du téléphone et profitez de la véritable stéréo sans fil.
5. **Quitter TWS :** Appuyez sur le bouton Lecture/Pause/(TWS) et maintenez-le enfoncé pendant 3 secondes pour quitter la fonction TWS.



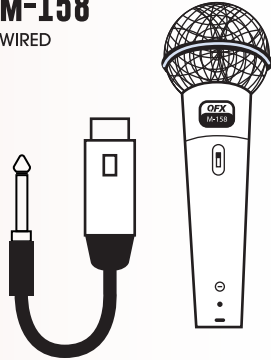
## ADDITIONAL QFX PRODUCTS

TAKE YOUR EXPERIENCE TO THE NEXT LEVEL WITH THE PROFESSIONAL **M-SERIES** DYNAMIC MICROPHONES!

**M-500**  
WIRELESS



**M-158**  
WIRED



**GET A SECOND SBX-1200  
TO EXPERIENCE  
TRUE WIRELESS STEREO**



\*ADDITIONAL QFX PRODUCTS SOLD SEPARATELY

**WHERE THE PARTY BEGINS™**

### BLUETOOTH:

Use the MODE button to enable Bluetooth on the SBX-1200. Open the Bluetooth settings on your mobile device and search for QFX SBX-1200. Select the option to pair both devices together. You can now sit back and enjoy the music from your favorite app. You won't need reconnect the Bluetooth again when switching through modes.

Use el botón MODE para habilitar Bluetooth en el SBX-1200. Abra la configuración de Bluetooth en su dispositivo móvil y busque QFX SBX-1200. Seleccione la opción para emparejar ambos dispositivos. Ahora puede sentarse y disfrutar de la música de su aplicación favorita. No necesitará volver a conectar el Bluetooth al cambiar de modo.

Utilisez le bouton MODE pour activer Bluetooth sur le SBX-1200. Ouvrez les paramètres Bluetooth sur votre appareil mobile et recherchez QFX SBX-1200. Sélectionnez l'option pour coupler les deux appareils ensemble. Vous pouvez maintenant vous asseoir et profiter de la



- Standby
- LINE (Audio input)
- Prev/ CH-
- Play/pause/FM tuner
- Next/ CH+
- Repeat
- Stop
- Volume up
- Volume down
- Mute
- Equalizer
- Number

### FM RADIO:

• Frequency-Modulated stations operate in a frequency band extending from 87.5 MHz to 108 MHz. Use the MODE button to select the FM mode. In FM mode, press and hold the Play/Pause button to scan available frequencies in the area. Available stations will be stored in presets P1-99.

• Las estaciones de frecuencia modulada operan en una banda de frecuencia que se extiende desde 87.5 MHz a 108 MHz. Utilice el botón MODE para seleccionar el modo FM. En el modo FM, mantenga presionado el botón Reproducir / Pausa para buscar las frecuencias disponibles en el área. Las emisoras disponibles se almacenarán en las presintonías P1-99

• Les stations à modulation de fréquence fonctionnent dans une bande de fréquences allant de 87.5 MHz à 108 MHz. Utilisez le bouton MODE pour sélectionner le mode FM. En mode FM, maintenez le bouton Lecture / Pause enfoncé pour balayer les fréquences disponibles dans la zone. Les stations disponibles seront mémorisées dans les préséglages P1-99.



1-800-864-CLUB (2582)  
Mon-Fri 9AM - 5PM (PST)



support@qfxusa.com  
Mon-Fri 9AM - 5PM (PST)

## THANK YOU

Enjoy your speaker and make many memories with it because  
**QFX is Where the Party Begins!**

We would love to hear about your SBX-1200 Journey!  
Tag us **@QFXUSA** to share your stories.

FOLLOW US @QFXUSA





## LIMITED PRODUCT WARRANTY POLICY

Before returning your Product for service under this Warranty, please (i) read the instruction manual carefully and visit our website at [www.qfxusa.com](http://www.qfxusa.com) for Product updates and extended support documentation (e.g., Common Troubleshooting Guides); (ii) if you are still having trouble with your Product, please contact the QFX Customer Support Department.

Subject to the terms and conditions herein, QFX, Inc. (herein after called "QFX") warrants to the original purchaser of the Product ("Customer") that for the applicable Warranty Period listed below, the Product will be free from defects in material or workmanship under normal, non-commercial use ("Defects").

Warranty Period encompasses, as listed below, separate "Coverage Periods" for Parts and Labor, each Coverage Period to begin from the original date of Customer purchase. If Customer returns a defective Product (or any component thereof) during the applicable Warranty Period, QFX will, at its option, during the specified Coverage Periods for Parts and Labor (as applicable either: (i) repair the Product (or, as applicable, any component thereof) or (ii) replace the Product (or, as applicable, any component thereof) with a new or refurbished Product (or, as applicable, any component thereof), in either case free of charge to Customer for Parts and/or Labor (as applicable) during the specified Coverage Period only, and excluding applicable shipping charges (noted below), for which the Customer is responsible. The foregoing states the Customer's exclusive remedy and QFX sole liability for breach of the limited warranty contained herein.

This warranty covers only normal use. This warranty is not transferable. QFX is not responsible for warranty replacement should the QFX label or logo be removed or should the product fail to be properly maintained or fail to function properly as a result of **misuse, abuse, immersion in liquids, improper installation, improper shipping, damage caused by disasters such as fire, flood, or service other than by QFX**. In addition, this warranty excludes any Product (or, as applicable, any component thereof) that has been subject to or Defects resulting from: (a) any neglect or misuse by a Customer, an accident, improper application, violation of operating instructions for the Product, any other Customer-induced damage, or the alteration or removal of any Product serial number; (b) any modification or repair to Product (or, as applicable, any component thereof) by any party other than QFX or a party authorized in writing by QFX; (c) any damage to Product (or, as applicable, any component thereof) due to power surges, incorrect electrical voltage, misconnection to any device, or malfunction of any device used with the Product (or, as applicable, any component thereof); (d) cosmetic damage to the Product (or, as applicable, any component thereof) caused by normal wear and tear; (e) shipping damage that occurs while the Product is in transit; (f) damage caused by heat sources, sunlight, electromagnetic conditions, or other climatic conditions or (g) any acts of God.

Product is sold to Customer for personal, non-commercial use only. Product is not warranted for Customer's commercial or rental use. In addition, Product is not warranted against failure, and should not be used by Customer for any application where (i) there is a risk that any data stored on Product will be breached or otherwise compromised, or (ii) the data stored on Product is relied upon for medical or lifesaving applications. QFX disclaims any Warranty for any of the foregoing uses to the fullest extent permitted by law. Customer assumes any and all risks associated with such uses of Product, and agrees to indemnify QFX for any damages claimed against QFX for such uses.

EXCEPT FOR EXPRESS WARRANTIES STATED ABOVE AND TO THE MAXIMUM EXTENT PERMITTED BY LAW, THE PRODUCTS ARE PROVIDED "AS IS" AND QFX DISCLAIMS ALL OTHER WARRANTIES, INCLUDING WITHOUT LIMITATION ANY IMPLIED WARRANTY (i) OF MERCHANTABILITY, (ii) OF FITNESS FOR A PARTICULAR PURPOSE, OR (iii) OF NON-INFRINGEMENT OF THIRD PARTY RIGHTS. TO THE MAXIMUM EXTENT PERMITTED BY APPLICABLE LAW, IN NO EVENT WILL QFX BE LIABLE TO CUSTOMER OR ANY THIRD PARTY FOR ANY INDIRECT, SPECIAL, INCIDENTAL, CONSEQUENTIAL, EXEMPLARY OR PUNITIVE DAMAGES, INCLUDING, WITHOUT LIMITATION, ANY LOST PROFITS OR REVENUES, LOSS OR INACCURACY OF ANY DATA OR COST OF SUBSTITUTE GOODS, REGARDLESS OF THE THEORY OF LIABILITY (INCLUDING NEGLIGENCE) AND EVEN IF QFX HAS BEEN ADVISED OF THE POSSIBILITY OF SUCH DAMAGES, QFX AGGREGATE LIABILITY TO CUSTOMER FOR ACTUAL DIRECT DAMAGES FOR ANY CAUSE WHATSOEVER SHALL BE LIMITED TO THE CUMULATIVE PRODUCT FEES PAID BY THAT CUSTOMER FOR THE PRODUCTS CAUSING THE DAMAGES, IF ANY.

This Warranty gives Customer specific rights, and Customer may also have other rights that vary from jurisdiction to jurisdiction. Warning: Some Products may contain components that are small enough to be swallowed. Please keep out of reach of children. In order for the return to be processed, you must send the Product PREPAID to the address below in the original packaging or reasonable substitute to prevent damage and include: (1) a dated sales receipt (which must have a purchase date that falls in the Warranty Period specified in the table below) that indicates the place of purchase, model number of Product, and amount paid, (2) a detailed description of Customer's problem with Product, (3) Customer's full name, phone number, and return address, (3) all of the accessories that came with the Product package must be sent along with the main Product, (4) a cashier's check or money order payable to QFX, Inc., in the amount specified for the item in the product table below for return shipping and handling. If in the case you cannot provide a money order or cashier's check, you can contact The QFX Customer Support Representative to arrange payment via credit card. No returned Product will be shipped back to a PO BOX. If a returned Product is found to have no problem and/or does not include ALL of the requirements indicated above, it may be returned back to the customer and will not be processed.

FOLLOW US @QFXUSA



