

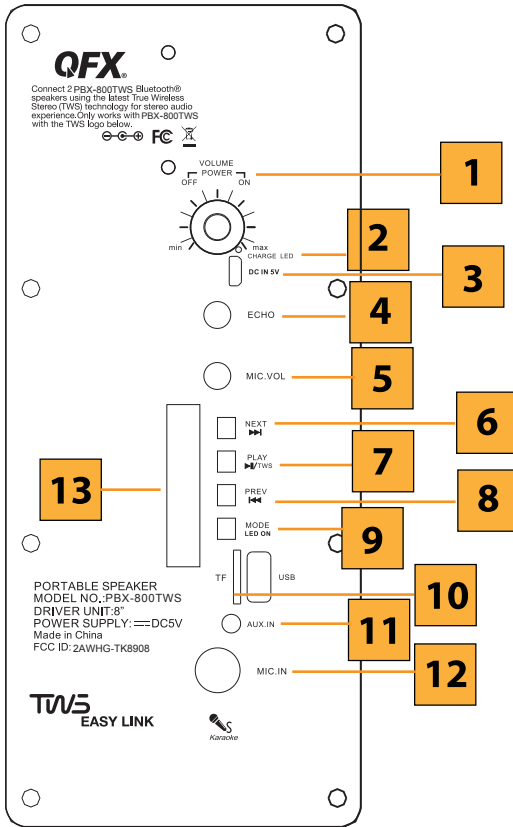
PBX-800TWS

QFX
WHERE THE PARTY BEGINS™



INSTRUCTION MANUAL

BACK PANEL



1. TREBLE: Treble Boost.
2. BASS: Bass Boost.
3. Power: (OFF/ON)/ VOLUME Gain.
4. LED LIGHT: Charging Light Indicator.
RED=Charging Light OFF = Fully Charged
5. DC Input: 5V 1A min.
6. ECHO: Echo Volume.
7. MIC.VOL: Microphone Volume.
8. Next: Next Track or FM Station.
9. Play/Pause/TWS: Play or Pause Track, TWS Button
10. Previous: Previous Track.
11. MODE/LED SW: Toggle Through BT, USB, TF, AUX, FM Radio. Press and hold to turn OFF/ON lights.
12. USB/ TF Input: insert USB or TF Card.
13. AUX Input: 3.5mm TRS cable.
14. MIC Input: 6.35mm TS or TRS cable.
15. Display Screen: Displays mode source Information

SPECIFICATIONS

Frequency Response: 38Hz-20KHz

Power Supply: DC5V

Battery life is based on usage.



WARNING!



TO REDUCE THE RISK OF ELECTRIC SHOCK, DO NOT REMOVE THE COVER ON THIS SPEAKER. THERE ARE NO USER-SERVICEABLE PARTS INSIDE. REFER ALL SERVICING TO A QUALIFIED TECHNICIAN

To prevent fire or electric shock, do not expose this equipment to rain or moisture. Do not store or operate this product near any liquids, heat sources such as radiators, heat registers or under extreme weather conditions. Clean only with a dry cloth.

Users should exhibit extra safety when the WARNING or CAUTION symbol appears in this instruction manual and follow all precautions as they are stated.

POWER SOURCE

1. Please charge the unit at least 4 hours before the first time use.
2. Twist the dial clockwise/anticlockwise to switch ON/OFF the unit.

CHARGE THE BATTERY

When the battery is charging, the CHARGE STATUS light display is red. After the battery has fully charged, the light will turn off.

1. Connect the adapter charge cable to the DC5V Input of the speaker
2. When the battery is fully charged, please disconnect the USB charging cable from the speaker.
3. The speaker works normally while charging.

VOLUME:

TURN the dial clockwise/anticlockwise to Increase/Decrease the volume.

PREVIOUS/NEXT:

Use the PREVIOUS/NEXT button to go to the previous or next track.

PAUSE/PLAY/TWS:

Use the PLAY/PAUSE/TWS button to play or pause the current track. Use this button for TWS sync.

MODE:

Press to toggle through Modes (BT, USB, TF, AUX, FM). Press and hold to turn the lights ON/OFF.

AUX IN: Insert a 3.5mm (TRS) Aux cable for external audio devices

MIC IN:

Insert a 6.35mm (TS or TRS) cable.

USB/TF Card Port: Insert a USB or TF card for playback. Single Repeat When in USB or TF card mode, use this function to repeat tracks

FM FUNCTION:

Press the MODE button to switch to FM mode. Press PLAY/PAUSE/TWS button on control panel to automatically scan through the radio stations. Use the PREVIOUS/NEXT buttons to select a previous or next radio station. Press 0~9 from remote to choose an FM stored station.

BLUETOOTH: Use the MODE button on the control panel to select Bluetooth mode. Simultaneously open the Bluetooth setting on your mobile device and search for "QFX PBX-800TWS". Connect for Bluetooth playback.

TWS (TRUE WIRELESS STEREO) PAIRING 2 PBX-800TWS

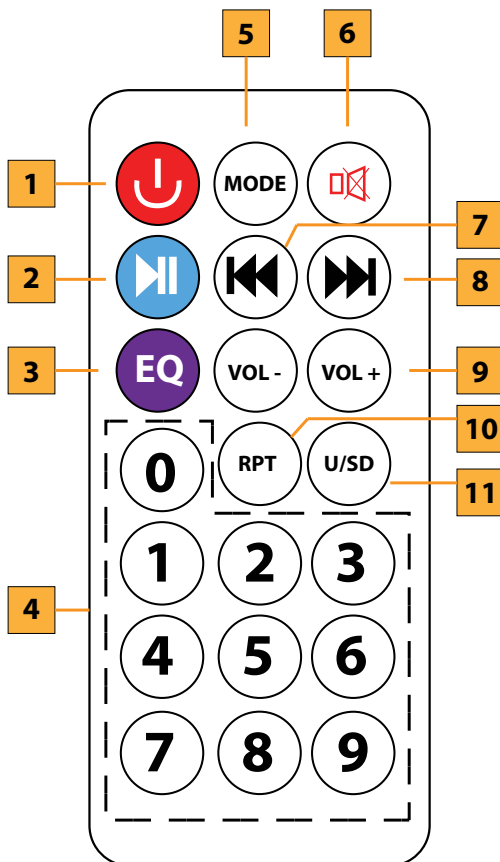
Step 1: Use the Mode button to enable Bluetooth mode on each speaker. The display will read "BLUE".

Step 2: When both speakers are in Bluetooth mode, on one of the speakers press and hold the TWS button for 3 seconds. You will hear a sound and the speakers will connect together. Next time you put both speakers in Bluetooth mode at the same time, they will connect automatically to TWS.

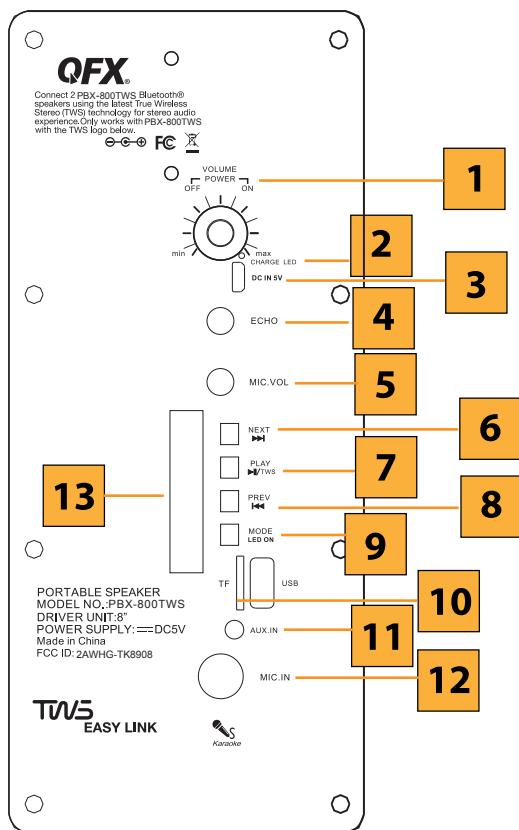
Step 3: On your mobile devices' Bluetooth settings, search for "QFX PBX-800TWS". If your TWS pairing process was successful you should only see one "QFX PBX-800TWS" to choose from. Select the "QFX PBX-800TWS" and enjoy True Wireless Stereo (TWS).

REMOTE

1. Power: Standby
2. Play/Pause: Play and Pause tracks
3. EQ: EQ Settings
4. Numeric Buttons: Number Keys 0-9
5. Mode: Toggle through: BT, USB, TF, AUX, FM Radio
6. Mute: Mute Playback
7. Previous: Previous Track or FM Station
8. Next: Next Track or FM Station
9. Volume +/-: Increase or Decrease Volume
10. Repeat: USB/TF Track Repeat Mode.
11. USB/TF: USB/TF Mode



PANEL TRASERO



1. TREBLE: Refuerzo de agudos.
2. BASS: Refuerzo de graves.
3. Energía: (APAGADO / ENCENDIDO) / Ganancia de VOLUMEN.
4. LUZ LED: Indicador de luz de carga.
ROJO = Luz de carga
APAGADA = Totalmente cargada
5. Entrada DC: 5V 1A min.
6. ECHO: Volumen de eco.
7. MIC.VOL: Volumen del micrófono.
8. Siguiete: Siguiete pista o estación FM.
9. Reproducir / Pausar / TWS: reproducir o pausar la pista. Botón TWS
10. Anterior: Pista anterior.
11. MODE / LED SW: Alternar entre BT, USB, TF, AUX, Radio FM. Mantenga presionado para apagar / encender las luces.
12. Entrada USB / TF: inserte una tarjeta USB o TF.
13. Entrada AUX: cable TRS de 3,5 mm.
14. Entrada MIC: cable TS o TRS de 6,35 mm.
15. Pantalla de visualización: muestra la información de la fuente del modo

ESPECIFICACIONES

Respuesta de frecuencia: 38Hz-20 KHz

Fuente de alimentación: DC5V

La duración de la batería se basa en el uso.



PARA REDUCIR EL RIESGO DE DESCARGA ELÉCTRICA, NO RETIRE LA CUBIERTA DE ESTE ALTAVOZ. NO HAY PARTES REPARABLES POR EL USUARIO ADENTRO. REFIERA TODAS LAS REPARACIONES A UN TÉCNICO CALIFICADO

Para evitar incendios o descargas eléctricas, no exponga este equipo a la lluvia ni a la humedad. No almacene ni utilice este producto cerca de líquidos, fuentes de calor como radiadores, rejillas de calefacción o bajo condiciones climáticas extremas. Limpie solamente con un paño seco. Los usuarios deben exhibir seguridad adicional cuando aparezca el símbolo de ADVERTENCIA o PRECAUCIÓN en este manual de instrucciones y seguir todas las precauciones que se indican.



FUENTE DE ALIMENTACIÓN

FUENTE DE ALIMENTACIÓN

1. Cargue la unidad al menos 4 horas antes del primer uso.
2. Gire el dial en sentido horario / antihorario para encender / apagar la unidad.

CARGA LA BATERÍA

Cuando la batería se está cargando, el indicador luminoso CHARGE STATUS es rojo. Una vez que la batería se haya cargado completamente, la luz se apagará.

1. Conecte el cable de carga USB a la entrada DC5V del altavoz
2. Cuando la batería esté completamente cargada, desconecte el cable de carga USB del altavoz.
3. El altavoz funciona normalmente mientras se carga.

VOLUMEN:

GIRE el dial en el sentido de las agujas del reloj / en sentido contrario a las agujas del reloj para aumentar / disminuir el volumen.

ANTERIOR SIGUIENTE:

Use el botón PREVIOUS / NEXT para ir a la pista anterior o siguiente.

PAUSA / REPRODUCCIÓN / TWS:

Use el botón PLAT / PAUSE / TWS para reproducir o pausar la pista actual. Utilice este botón para la sincronización TWS.

MODO:

Presione para alternar entre los modos (BT, USB, TF, AUX, FM). Mantenga presionado para encender / apagar las luces.

AUX IN: inserte un cable auxiliar de 3,5 mm (TRS) para dispositivos de audio externos

MIC IN:

Inserte un cable de 6,35 mm (TS o TRS).

Puerto de tarjeta USB / TF: inserte una tarjeta USB o TF para la reproducción.

Repetición única cuando esté en modo USB o tarjeta TF, use esta función para repetir pistas

FUNCIÓN FM:

Presione el botón MODE para cambiar al modo FM. Presione PLAY / PAUSE / TWS en el panel de control para escanear automáticamente las estaciones de radio.

Use los botones PREVIOUS / NEXT para seleccionar una estación de radio anterior o siguiente. Presione 0 ~ 9 desde el control remoto para elegir una estación FM almacenada.

BLUETOOTH:

Use el botón MODE en el panel de control para seleccionar el modo Bluetooth.

Abra simultáneamente la configuración de Bluetooth en su dispositivo móvil y busque "QFX PBX-800TWS". Conectar para reproducción de Bluetooth

TWS (VERDADERO ESTÉREO INALÁMBRICO) PARING 2 PBX-800TWS

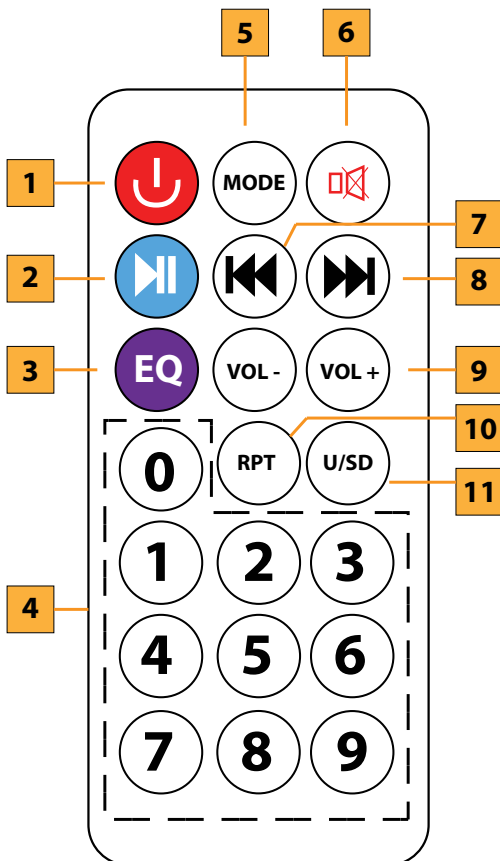
Paso 1: Utilice el botón Modo para habilitar el modo Bluetooth en cada altavoz. La pantalla mostrará "AZUL".

Paso 2: cuando ambos parlantes estén en modo Bluetooth, en uno de los parlantes presione y mantenga presionado el botón TWS durante 3 segundos. Oirá un sonido y los altavoces se conectarán entre sí. La próxima vez que ponga ambos altavoces en modo Bluetooth al mismo tiempo, se conectarán automáticamente a TWS.

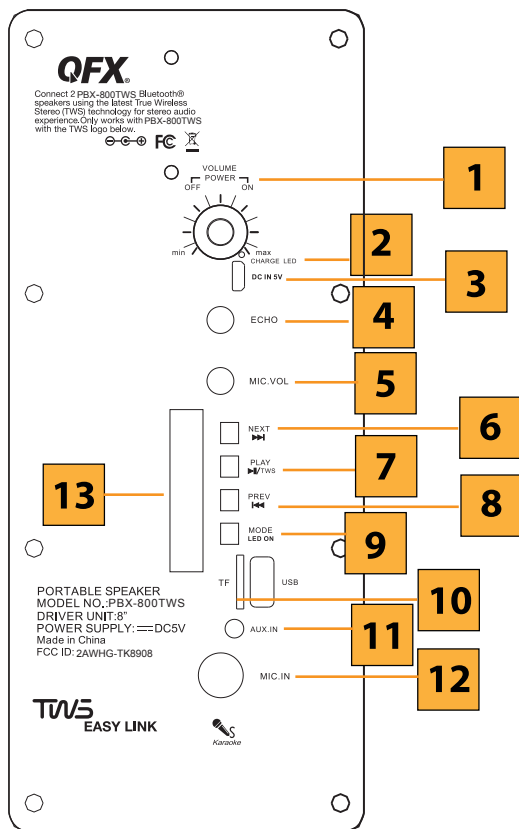
Paso 3: En la configuración de Bluetooth de sus dispositivos móviles, busque "QFX PBX-800TWS". Si su proceso de emparejamiento de TWS fue exitoso, solo debería ver un "QFX PBX-800TWS" para elegir. Seleccione "QFX PBX-800TWS" y disfrute del verdadero estéreo inalámbrico (TWS). Además de transmitir música estéreo a través de Bluetooth, TWS también funciona en los modos de entrada de línea, USB y radio FM.

REMOTE

1. Potencia: en espera
2. Play/Pause: reproducir y pausar pistas
3. EQ: Configuración de EQ
4. Botones numéricos: Teclas numéricas 0-9
5. Modo: Alternar entre: BT, USB, TF, AUX, Radio FM
6. Mute: reproducción silenciosa
7. Anterior: pista anterior o estación FM
8. Siguiente: Siguiente pista o estación FM
9. Volumen +/-: aumentar o disminuir el volumen
10. Repetir: Modo de repetición de pista USB / TF.
11. USB / TF: modo USB / TF



BACK PANEL



1. TREBLE: Augmentation des aigus.
2. BASS: Amplification des basses.
3. Alimentation: (OFF / ON) / VOLUME Gain.
4. LED LIGHT: Indicateur lumineux de charge.
ROUGE = voyant de charge éteint = complètement chargé
5. Entrée CC: 5V 1A min.
6. ECHO: Volume d'écho.
7. MIC.VOL: Volume du microphone.
8. Suivant: Piste suivante ou station FM.
9. Lecture / Pause / TWS: lecture ou pause de la piste. Bouton TWS
10. Précédent: Piste précédente.
11. MODE / LED SW: Basculer via BT, USB, TF, AUX, Radio FM. Appuyez et maintenez pour allumer / éteindre les lumières.
12. Entrée USB / TF: insérez la carte USB ou TF.
13. Entrée AUX: câble TRS 3,5 mm.
14. Entrée MIC: câble TS ou TRS 6,35 mm.
15. Écran d'affichage: affiche les informations sur la source de mode

CARACTÉRISTIQUES

Réponse en fréquence: 38Hz-20KHz

Alimentation: DC5V

L'autonomie de la batterie est basée sur l'utilisation.



POUR RÉDUIRE LE RISQUE DE CHOC ÉLECTRIQUE, NE RETIREZ PAS LE COUVERCLE DE CET HAUT-PARLEUR. IL N'Y A AUCUNE PIÈCE RÉPARABLE PAR L'UTILISATEUR À L'INTÉRIEUR. RÉFÉREZ TOUTE RÉPARATION À UN TECHNICIEN QUALIFIÉ
 Pour éviter tout incendie ou choc électrique, n'exposez pas cet équipement à la pluie ou à l'humidité. Ne stockez pas et n'utilisez pas ce produit à proximité de liquides, de sources de chaleur telles que radiateurs, bouches de chaleur ou dans des conditions météorologiques extrêmes. Nettoyez uniquement avec un chiffon sec. Les utilisateurs doivent faire preuve d'une sécurité supplémentaire lorsque le symbole AVERTISSEMENT ou ATTENTION apparaît dans ce manuel d'instructions et suivre toutes les précautions telles qu'elles sont énoncées.

SOURCE D'ÉNERGIE

1. Veuillez charger l'appareil au moins 4 heures avant la première utilisation.
2. Tournez le cadran dans le sens horaire / anti-horaire pour allumer / éteindre l'appareil.

CHARGER LA BATTERIE

Lorsque la batterie est en cours de charge, le témoin lumineux CHARGE STATUS est rouge. Une fois la batterie complètement chargée, le voyant s'éteint.

1. Connectez le câble de charge USB à l'entrée DC5V du haut-parleur
2. Lorsque la batterie est complètement chargée, veuillez déconnecter le câble de chargement USB de l'enceinte.
3. Le haut-parleur fonctionne normalement pendant la charge.

LE VOLUME:

TOURNEZ la molette dans le sens horaire / anti-horaire pour augmenter / diminuer le volume.

PRÉCÉDENT SUIVANT:

Utilisez le bouton PREVIOUS / NEXT pour passer à la piste précédente ou suivante.

PAUSE / LECTURE / TWS:

Utilisez le bouton PLAT / PAUSE / TWS pour lire ou mettre en pause la piste en cours. Utilisez ce bouton pour la synchronisation TWS.

MODE:

Appuyez pour basculer entre les modes (BT, USB, TF, AUX, FM). Appuyez et maintenez enfoncé pour allumer / éteindre les lumières.

AUX IN:

Insérez un câble Aux 3,5 mm (TRS) pour les appareils audio externes

MIC IN:

Insérez un câble 6,35 mm (TS ou TRS). Port de carte USB / TF: insérez une carte USB ou TF pour la lecture. Répétition unique En mode USB ou carte TF, utilisez cette fonction pour répéter les pistes

FONCTION FM:

Appuyez sur le bouton MODE pour passer en mode FM. Appuyez sur PLAY / PAUSE / TWS sur le panneau de commande pour balayer automatiquement les stations de radio. Utilisez les boutons PREVIOUS / NEXT pour sélectionner une station radio précédente ou suivante. Appuyez sur 0 ~ 9 depuis la télécommande pour choisir une station FM mémorisée.

BLUETOOTH:

Utilisez le bouton MODE du panneau de commande pour sélectionner le mode Bluetooth. Ouvrez simultanément le paramètre Bluetooth sur votre appareil mobile et recherchez "QFX PBX-800TWS". Connectez-vous pour la lecture Bluetooth

TWS (TRUE WIRELESS STÉRÉO) PARING 2 PBX-800TWS

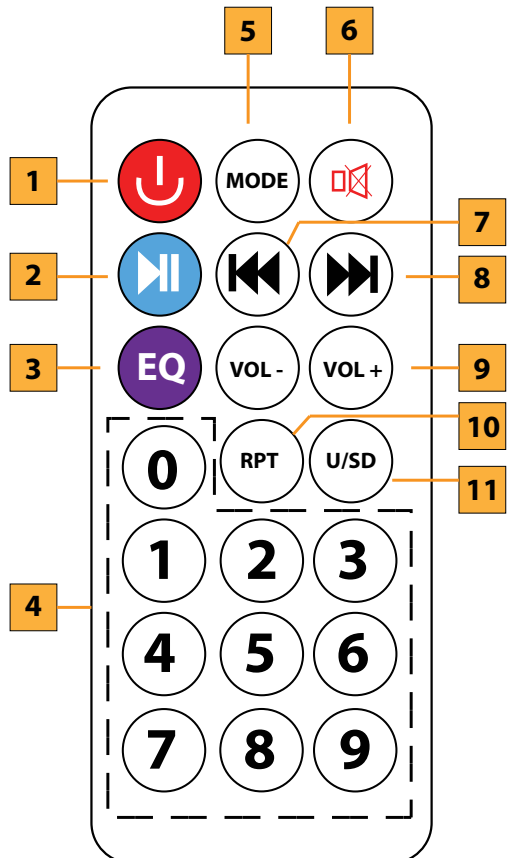
Étape 1 : utilisez le bouton Mode pour activer le mode Bluetooth sur chaque haut-parleur. L'écran affichera «BLEU».

Étape 2 : Lorsque les deux haut-parleurs sont en mode Bluetooth, sur l'un des haut-parleurs, maintenez enfoncé le bouton TWS pendant 3 secondes. Vous entendrez un son et les haut-parleurs se connecteront ensemble. La prochaine fois que vous mettrez les deux haut-parleurs en mode Bluetooth en même temps, ils se connecteront automatiquement à TWS.

Étape 3 : Dans les paramètres Bluetooth de vos appareils mobiles, recherchez « QFX PBX-800TWS ». Si votre processus d'association TWS a réussi, vous ne devriez voir qu'un seul « QFX PBX-800TWS » parmi lequel choisir. Sélectionnez le « QFX PBX-800TWS » et profitez de la véritable stéréo sans fil (TWS). Outre la diffusion de musique stéréo via Bluetooth, TWS fonctionne également en modes entrée ligne, USB et radio FM.

REMOTE

1. puissance: veille
- 2.Play/Pause: lecture et pause des pistes
- 3.EQ: Paramètres d'égalisation
4. boutons numériques: touches numériques 0-9
- 5.Mode: basculer entre: BT, USB, TF, AUX, Radio FM
- 6.Mute: lecture silencieuse
- 7.Previous: Piste précédente ou station FM
8. suivant: piste suivante ou station FM
- 9.Volume +/-: augmenter ou diminuer le volume
- 10.Répéter: Mode de répétition de piste USB / TF.
- 11.USB / TF: Mode USB / TF





LIMITED PRODUCT WARRANTY POLICY

Before returning your Product for service under this Warranty, please (i) read the instruction manual carefully and visit our website at www.qfxusa.com for Product updates and extended support documentation (e.g., Common Troubleshooting Guides); (ii) if you are still having trouble with your Product, please contact the QFX Customer Support Department.

Subject to the terms and conditions herein, QFX, Inc. (herein after called "QFX") warrants to the original purchaser of the Product ("Customer") that for the applicable Warranty Period listed below, the Product will be free from defects in material or workmanship under normal, non-commercial use ("Defects").

Warranty Period encompasses, as listed below, separate "Coverage Periods" for Parts and Labor, each Coverage Period to begin from the original date of Customer purchase. If Customer returns a defective Product (or any component thereof) during the applicable Warranty Period, QFX will, at its option, during the specified Coverage Periods for Parts and Labor (as applicable either: (i) repair the Product (or, as applicable, any component thereof) or (ii) replace the Product (or, as applicable, any component thereof) with a new or refurbished Product (or, as applicable, any component thereof), in either case free of charge to Customer for Parts and/or Labor (as applicable) during the specified Coverage Period only, and excluding applicable shipping charges (noted below), for which the Customer is responsible. The foregoing states the Customer's exclusive remedy and QFX sole liability for breach of the limited warranty contained herein.

This warranty covers only normal use. This warranty is not transferable. QFX is not responsible for warranty replacement should the QFX label or logo be removed or should the product fail to be properly maintained or fail to function properly as a result of misuse, abuse, immersion in liquids, improper installation, improper shipping, damage caused by disasters such as fire, flood, or service other than by QFX. In addition, this warranty excludes any Product (or, as applicable, any component thereof) that has been subject to or Defects resulting from: (a) any neglect or misuse by a Customer, an accident, improper application, violation of operating instructions for the Product, any other Customer-induced damage, or the alteration or removal of any Product serial number; (b) any modification or repair to Product (or, as applicable, any component thereof) by any party other than QFX or a party authorized in writing by QFX; (c) any damage to Product (or, as applicable, any component thereof) due to power surges, incorrect electrical voltage, misconnection to any device, or malfunction of any device used with the Product (or, as applicable, any component thereof); (d) cosmetic damage to the Product (or, as applicable, any component thereof) caused by normal wear and tear; (e) shipping damage that occurs while the Product is in transit; (f) damage caused by heat sources, sunlight, electromagnetic conditions, or other climatic conditions or (g) any acts of God.

Product is sold to Customer for personal, non-commercial use only. Product is not warranted for Customer's commercial or rental use. In addition, Product is not warranted against failure, and should not be used by Customer for any application where (i) there is a risk that any data stored on Product will be breached or otherwise compromised, or (ii) the date stored on Product is relied upon for medical or lifesaving applications. QFX disclaims any Warranty for any of the foregoing uses to the fullest extent permitted by law. Customer assumes any and all risks associated with such uses of Product, and agrees to indemnify QFX for any damages claimed against QFX for such uses.

EXCEPT FOR EXPRESS WARRANTIES STATED ABOVE AND TO THE MAXIMUM EXTENT PERMITTED BY LAW, THE PRODUCTS ARE PROVIDED "AS IS" AND QFX DISCLAIMS ALL OTHER WARRANTIES, INCLUDING WITHOUT LIMITATION ANY IMPLIED WARRANTY (i) OF MERCHANTABILITY, (ii) OF FITNESS FOR A PARTICULAR PURPOSE, OR (iii) OF NON-INFRINGEMENT OF THIRD PARTY RIGHTS. TO THE MAXIMUM EXTENT PERMITTED BY APPLICABLE LAW, IN NO EVENT WILL QFX BE LIABLE TO CUSTOMER OR ANY THIRD PARTY FOR ANY INDIRECT, SPECIAL, INCIDENTAL, CONSEQUENTIAL, EXEMPLARY OR PUNITIVE DAMAGES, INCLUDING, WITHOUT LIMITATION, ANY LOST PROFITS OR REVENUES, LOSS OR INACCURACY OF ANY DATA OR COST OF SUBSTITUTE GOODS, REGARDLESS OF THE THEORY OF LIABILITY (INCLUDING NEGLIGENCE) AND EVEN IF QFX HAS BEEN ADVISED OF THE POSSIBILITY OF SUCH DAMAGES, QFX AGGREGATE LIABILITY TO CUSTOMER FOR ACTUAL DIRECT DAMAGES FOR ANY CAUSE WHATSOEVER SHALL BE LIMITED TO THE CUMULATIVE PRODUCT FEES PAID BY THAT CUSTOMER FOR THE PRODUCTS CAUSING THE DAMAGES, IF ANY.

This Warranty gives Customer specific rights, and Customer may also have other rights that vary from jurisdiction to jurisdiction. Warning: Some Products may contain components that are small enough to be swallowed. Please keep out of reach of children. In order for the return to be processed, you must send the Product PREPAID to the address below in the original packaging or reasonable substitute to prevent damage and include: (1) a dated sales receipt (which must have a purchase date that falls in the Warranty Period specified in the table below) that indicates the place of purchase, model number of Product, and amount paid, (2) a detailed description of Customer's problem with Product, (3) Customer's full name, phone number, and return address, (3) all of the accessories that came with the Product package must be sent along with the main Product, (4) a cashier's check or money order payable to QFX, Inc., in the amount specified for the item in the product table below for return shipping and handling. If in the case you cannot provide a money order or cashier's check, you can contact The QFX Customer Support Representative to arrange payment via credit card. No returned Product will be shipped back to a PO BOX. If a returned Product is found to have no problem and/or does not include ALL of the requirements indicated above, it may be returned back to the customer and will not be processed.

QFX USA®, Inc.
RMA Processing
Customer Support Department
2957 E. 46th Street | Vernon, CA 90058

support@qfxusa.com
(800) 864-CLUB (2582) or (323) 864-6900
Hours of Operation: Monday - Friday, 9am - 5pm PST

All prices and details below are for US Destinations excluding, Hawaii, Alaska and Puerto Rico. For excluded destinations and NON US destinations, please contact The QFX Customer Support Department directly for additional shipping fees and return instructions.

If you do not find your Product below, your Product model conflicts with multiple categories, and/or are unsure of which category the Product you have purchased will fall under, please contact our Customer Support Department for further instruction.

In order to determine the exact shipping cost that must be included with your product or paid for the product being returned, please refer to the table below. Please find the product you wish to return by category or model number prefix. QFX will not provide any return or refund to any customer for merchandise and will only honor the Limited Warranty restrictions mentioned in this document.

Please make sure to follow all directions prior to shipping back your item. If you are not sure what the shipping cost for your item is, or if your item category conflicts in the table below, please feel free to contact the QFX Support Department for further assistance.

PRODUCT CATEGORY	HANDLING	LABOR	PARTS
Earphones, Headphones, Pocket Radios, & Small Bluetooth vSpeakers	\$5.00	1 Year	1 Year
Personal Stereos	\$10.00	1 Year	1 Year
Portable Radio/Cassette	\$15.00	1 Year	1 Year
Large Portable Radio Cassette	\$20.00	1 Year	1 Year
Mobile Audio	\$10.00	1 Year	1 Year
Pro Audio SBX Systems	\$75.00	1 Year	1 Year
Pro Audio PBX Systems	\$75.00	1 Year	1 Year
Televisions	\$25.00	1 Year	1 Year
Telephones	\$10.00	1 Year	1 Year

THE WARRANTY AND REMEDY PROVIDED ABOVE ARE EXCLUSIVE AND IN LIEU OF ALL OTHER EXPRESSED OR IMPLIED WARRANTIES INCLUDING, BUT NOT LIMITED TO, THE IMPLIED WARRANTIES OF MERCHANTABILITY, NON-INFRINGEMENT OR FITNESS FOR A PARTICULAR PURPOSE. SOME LAWS DO NOT ALLOW THE EXCLUSION OF IMPLIED WARRANTIES. IF THESE LAWS APPLY, THEN ALL EXPRESSED OR IMPLIED WARRANTIES ARE LIMITED TO THE WARRANTY PERIOD IDENTIFIED ABOVE. UNLESS STATED HEREIN, ANY STATEMENT OR REPRESENTATIONS MADE BY ANY OTHER PERSONS OR FIRM ARE VOID. EXCEPT AS PROVIDED IN THIS WRITTEN WARRANTY, QFX SHALL NOT BE LIABLE FOR ANY LOSS, INCONVENIENCE, OR DAMAGE, INCLUDING DIRECT, SPECIAL, INCIDENTAL OR CONSEQUENTIAL DAMAGES, RESULTING FROM THE USE OR INABILITY TO USE THE QFX PRODUCT, WHETHER RESULTING FROM BREACH OF WARRANTY OR ANY OTHER LEGAL THEORY.

Some jurisdictions do not allow limitations on how long an implied warranty lasts, and some jurisdictions do not allow the exclusion or limitation of incidental or consequential damages, so the above limitations and exclusions may not apply to you. This warranty gives you special legal rights and you may have other rights which vary from jurisdiction to jurisdiction.

Copyright Protected 2024 ©



1-800-864-2582
Mon-Fri 9AM - 5PM (PST)



support@qfxusa.com
Mon-Fri 9AM - 5PM (PST)



www.qfxusa.com

QFX Where the Party Begins!

We would love to hear about your PBX-800TWS journey!
Tag us @QFXUSA to share your stories.

FOLLOW US @QFXUSA

